

KATALOG NÁHRADNÍCH DÍLŮ SPARE PARTS CATALOGUE

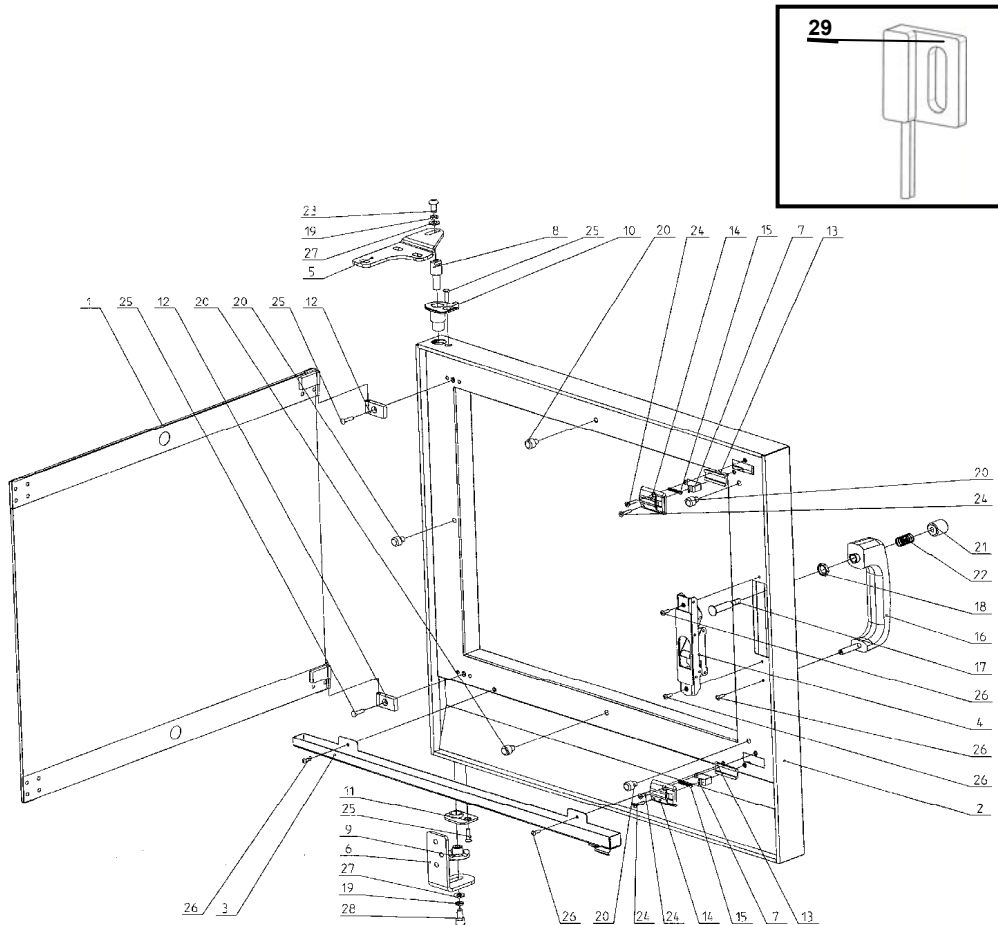


KONVEKTOMAT - COMBI OVEN DA 611

| OBSAH | STRANA | CONTENT | PAGE |
|---|---------------|--|-------------|
| DVEŘE | 3 | DOOR | 3 |
| MECHANIZMUS KLIKY | 5 | LOCK MECHANIZM | 5 |
| SESTAVA HÁČKU DVEŘÍ | 7 | DOOR LOCK HOOK | 7 |
| ODKAPNÍ VANIČKA | 9 | RUN OFF TRAY | 9 |
| TĚSNĚNÍ DVEŘÍ | 11 | DOOR SEAL | 11 |
| ŘÍZENÁ Klapka | 13 | FLAP VALVE | 13 |
| KOMÍN | 15 | CHIMNEY | 15 |
| SESTAVA VENTILÁTORU | 17 | VENTILATOR SET | 17 |
| SESTAVA TOPENÍ | 19 | HEATING SET | 19 |
| SESTAVA ODPADU | 21 | DRAIN SET | 21 |
| SESTAVA SPRCHY | 23 | SHOWER SET | 23 |
| SESTAVA VODY - NÁSTRÍK | 25 | WATER SET - INJECT | 25 |
| SESTAVA VODY - BOJLER | 27 | WATER SET - BOILER | 27 |
| SESTAVA BOJLERU | 29 | BOILER SET | 29 |
| SESTAVA SVĚTLA | 31 | LIGHT SET | 31 |
| ČIDLA TEPLoty | 33 | TEMPERATURE SENSORS | 33 |
| VPICHOVACÍ JEHLA JEDNOBODOVÁ | 35 | ONEPOINT CORE PROBE | 35 |
| VPICHOVACÍ JEHLA TŘÍBODOVÁ | 37 | 3-POINTS CORE PROBE | 37 |
| ELEKTRICKÁ INSTALACE | 39 - 49 | ELECTRICAL INSTALLATION | 39 - 49 |
| SESTAVA ODVLÁDACÍHO PANELU | 51 | CONTROL PANEL SET | 51 |
| SESTAVA ŘÍDÍCÍ ELEKTRONIKY COMFORT S VYPÍNAČEM | 53 | CONTROL PANEL SET COMFORT WITH ON-OFF SWITCH | 53 |
| SESTAVA ŘÍDÍCÍ ELEKTRONIKY COMFORT BEZ VYPÍNAČE | 55 | CONTROL PANEL SET COMFORT WITHOUT ON-OFF SWITCH | 55 |
| SESTAVA ŘÍDÍCÍ ELEKTRONIKY PRAKTIK/STANDARD S VYPÍNAČEM | 57 | CONTROL PANEL SET PRAKTIK/STANDARD WITH ON-OFF SWITCH | 57 |
| SESTAVA ŘÍDÍCÍ ELEKTRONIKY PRAKTIK/STANDARD BEZ VYPÍNAČE | 59 | CONTROL PANEL SET PRAKTIK/STANDARD WITHOUT ON-OFF SWITCH | 59 |
| ŽEBŘÍKY | 61 | RACKS | 61 |
| SYSTÉM AUTOMATICKÉHO MYTÍ | 63 | AUTOMATIC CLEANING SYSTÉM | 63 |

DVEŘE - DOOR

DA 611



| Poz | Kód | Název | TYP | | | | | | | |
|-----|-----------|-----------------------|-----|----|----|----|----|----|-----|-----|
| | | | PI | PB | SI | SB | CI | CB | CWI | CWB |
| | AC03-0100 | DVEŘE DA 6 | • | • | • | • | • | • | • | • |
| 1 | AC03-0105 | SKLO VNITŘNÍ DA 6 | • | • | • | • | • | • | • | • |
| 2 | | | • | • | • | • | • | • | • | • |
| 3 | | | • | • | • | • | • | • | • | • |
| 4 | AC08-0101 | ZÁMEK | • | • | • | • | • | • | • | • |
| 5 | AP00-0011 | ZÁVĚS HORNÍ 6,10,102 | • | • | • | • | • | • | • | • |
| 6 | AP00-0012 | ZÁVĚS SPODNÍ 6,10 | • | • | • | • | • | • | • | • |
| 7 | AP03-0009 | ZÁPADKA | • | • | • | • | • | • | • | • |
| 8 | AT00-0003 | ČEP | • | • | • | • | • | • | • | • |
| 9 | AX00-0001 | ČEP ARETACE | • | • | • | • | • | • | • | • |
| 10 | AX03-0004 | DORAZ DVEŘÍ | • | • | • | • | • | • | • | • |
| 11 | AX03-0005 | ARETACE DVEŘÍ | • | • | • | • | • | • | • | • |
| 12 | AX03-0006 | SPODNÍ PANT | • | • | • | • | • | • | • | • |
| 13 | AX03-0008 | VEDENÍ | • | • | • | • | • | • | • | • |
| 14 | AX03-0009 | DOMEČEK | • | • | • | • | • | • | • | • |
| 15 | AX03-0012 | PRUŽINA | • | • | • | • | • | • | • | • |
| 16 | AC08-0105 | RUKOJEŤ - LIS.SESTAVA | • | • | • | • | • | • | • | • |
| 17 | | | • | • | • | • | • | • | • | • |
| 18 | | | • | • | • | • | • | • | • | • |
| 19 | | | • | • | • | • | • | • | • | • |
| 20 | AX03-0003 | DORAZ | • | • | • | • | • | • | • | • |
| 21 | | | • | • | • | • | • | • | • | • |
| 22 | AX08-0004 | PRUŽINA | • | • | • | • | • | • | • | • |
| 23 | | | • | • | • | • | • | • | • | • |
| 24 | | | • | • | • | • | • | • | • | • |
| 25 | | | • | • | • | • | • | • | • | • |
| 26 | | | • | • | • | • | • | • | • | • |
| 27 | | | • | • | • | • | • | • | • | • |
| 28 | | | • | • | • | • | • | • | • | • |
| 29 | EA01-0001 | SPÍNAČ JAZÝČKOVÝ | • | • | • | • | • | • | • | • |

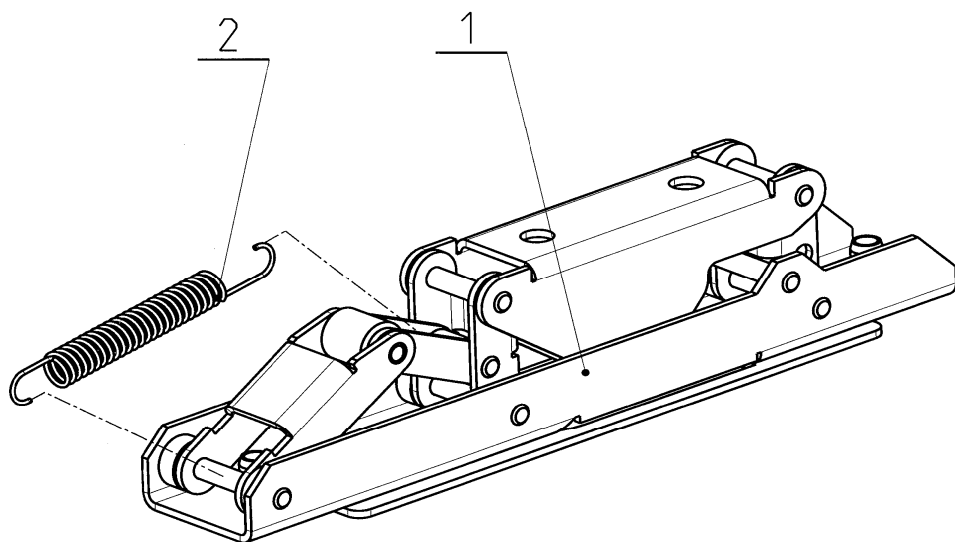
DVEŘE - DOOR

DA 611

| Poz | Kód | Název | Name | Nazwa | Название | Poznámky - Note |
|-----|-----------|-----------------------|--------------------------|-------------------------|-----------------------|-----------------|
| | AC03-0100 | DVEŘE DA 6 | DOOR DA 6 | DRZWI DA 6 | ДВЕРИ DA6 | |
| 1 | AC03-0105 | SKLO VNITŘNÍ DA 6 | INTERIOR GLASS | Szkło wewnętrzne | СТЕКЛО ВНУТРЕННЕЕ | |
| 2 | | | | | | |
| 3 | | | | | | |
| 4 | AC08-0101 | ZÁMEK | LOCK | Zamek (komplet) | ЗАМОК | |
| 5 | AP00-0011 | ZÁVĚS HORNÍ 6,10,102 | UPPER HINGE FOR THE DOOR | Zawias górny | ВЕРХНЯЯ НАВЕСКА ДВЕРИ | |
| 6 | AP00-0012 | ZÁVĚS SPODNÍ 6,10 | LOWER HINGE FOR THE DOOR | Zawias dolny | НИЖНЯЯ НАВЕСКА ДВЕРИ | |
| 7 | AP03-0009 | ZÁPADKA | TUMBLER | Zapadka | ФИКСАТОР | |
| 8 | AT00-0003 | ČEP | UPPER HINGE PIN | Czop | ПАЛЕЦ | |
| 9 | AX00-0001 | ČEP ARETACE | ARRESTMENT PIN | Czop regulacyjny | ЦАПФА АРРЕТАЦИИ | |
| 10 | AX03-0004 | DORAZ DVEŘÍ | DOOR STOP | Mocowanie drzwi - górne | УПОР ДВЕРИ | |
| 11 | AX03-0005 | ARETACE DVEŘÍ | DOOR ARRESTMENT | Mocowanie drzwi - dolne | АРРЕТАЦИЯ ДВЕРИ | |
| 12 | AX03-0006 | SPODNÍ PANT | INNER GLASS HINGE | Zawias szyby | НИЖНЯЯ ПЕТЛЯ | |
| 13 | AX03-0008 | VEDENÍ | GUIDE | Prowadnica | НАПРАВЛЯЮЩАЯ | |
| 14 | AX03-0009 | DOMEČEK | ARRESTING UNIT | Mocowanie prowadnicy | БУКСА | |
| 15 | AX03-0012 | PRUŽINA | SPRING | Sprężyna | ПРУЖИНА | |
| 16 | AC08-0105 | RUKOJEŤ - LIS.SESTAVA | HANDLE | Rękojeść (klamka) | РУКОЯТКА | |
| 17 | | | | | | |
| 18 | | | | | | |
| 19 | | | | | | |
| 20 | AX03-0003 | DORAZ | STOP | Odbojnik | УПОР | |
| 21 | | | | | | |
| 22 | AX08-0004 | PRUŽINA | SPRING | Sprężyna | ПРУЖИНА | |
| 23 | | | | | | |
| 24 | | | | | | |
| 25 | | | | | | |
| 26 | | | | | | |
| 27 | | | | | | |
| 28 | | | | | | |
| 29 | EA01-0001 | SPÍNAČ JAZÝČKOVÝ | DOOR SWITCH | MIKROWYŁĄCZNIK DRZWI | МИКРОВКЛЮЧАТЕЛЬ | |

MECHANISMUS KLIKY - LOCK MECHANISM

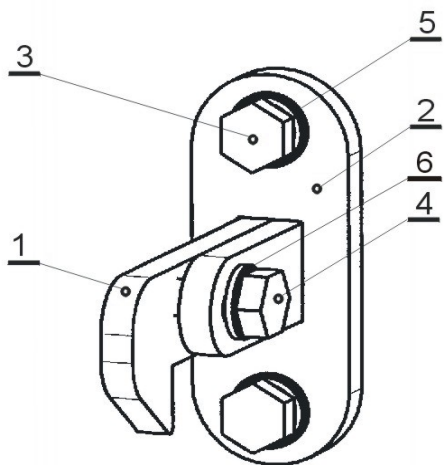
DA 611



| Poz | Kód | Název | TYP | | | | | | | |
|-----|-----------|---------|-----|----|----|----|----|----|-----|-----|
| | | | PI | PB | SI | SB | CI | CB | CWI | CWB |
| 1 | AC08-0101 | ZÁMEK | • | • | • | • | • | • | • | • |
| 2 | AX08-0012 | PRUŽINA | • | • | • | • | • | • | • | • |
| | | | | | | | | | | |
| | | | | | | | | | | |
| | | | | | | | | | | |
| | | | | | | | | | | |
| | | | | | | | | | | |
| | | | | | | | | | | |
| | | | | | | | | | | |
| | | | | | | | | | | |
| | | | | | | | | | | |
| | | | | | | | | | | |
| | | | | | | | | | | |
| | | | | | | | | | | |
| | | | | | | | | | | |
| | | | | | | | | | | |
| | | | | | | | | | | |
| | | | | | | | | | | |
| | | | | | | | | | | |

SESTAVA HÁČKU DVEŘÍ - DOOR LOCK HOOK

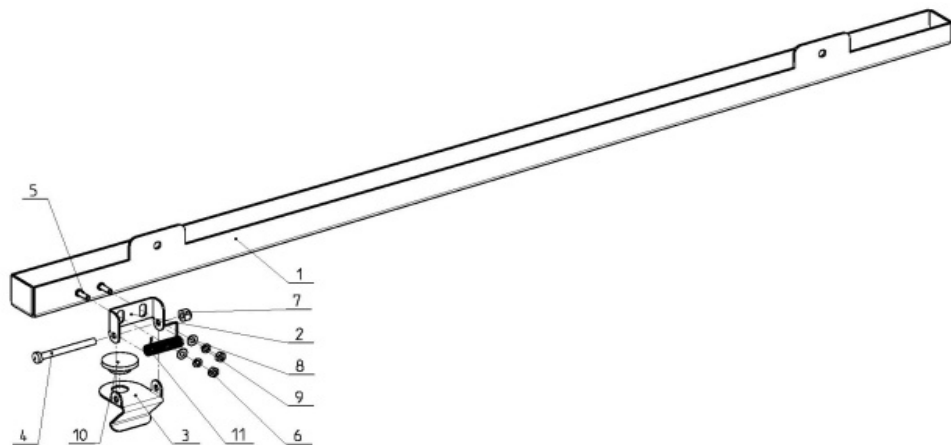
DA 611



| Poz | Kód | Název | TYP | | | | | | | |
|-----|-----------|---------|-----|----|----|----|----|----|-----|-----|
| | | | PI | PB | SI | SB | CI | CB | CWI | CWB |
| 1+2 | AC08-0102 | ZOBÁČEK | • | • | • | • | • | • | • | • |
| 1 | AP08-0009 | PLECH | • | • | • | • | • | • | • | • |
| 2 | AC08-0103 | TĚLO | • | • | • | • | • | • | • | • |
| 3 | | | • | • | • | • | • | • | • | • |
| 4 | | | • | • | • | • | • | • | • | • |
| 5 | | | • | • | • | • | • | • | • | • |
| 6 | | | • | • | • | • | • | • | • | • |
| | | | | | | | | | | |
| | | | | | | | | | | |
| | | | | | | | | | | |
| | | | | | | | | | | |
| | | | | | | | | | | |
| | | | | | | | | | | |
| | | | | | | | | | | |
| | | | | | | | | | | |
| | | | | | | | | | | |
| | | | | | | | | | | |
| | | | | | | | | | | |
| | | | | | | | | | | |
| | | | | | | | | | | |
| | | | | | | | | | | |
| | | | | | | | | | | |
| | | | | | | | | | | |
| | | | | | | | | | | |
| | | | | | | | | | | |
| | | | | | | | | | | |
| | | | | | | | | | | |
| | | | | | | | | | | |
| | | | | | | | | | | |
| | | | | | | | | | | |
| | | | | | | | | | | |
| | | | | | | | | | | |

ODKAPNÍ VANIČKA - RUN OFF TRAY

DA 611



| Poz | Kód | Název | TYP | | | | | | | |
|-----|-----------|---------------|-----|----|----|----|----|----|-----|-----|
| | | | PI | PB | SI | SB | CI | CB | CWI | CWB |
| 1 | | | . | . | . | . | . | . | . | . |
| 2 | | | . | . | . | . | . | . | . | . |
| 3 | | | . | . | . | . | . | . | . | . |
| 4 | | | . | . | . | . | . | . | . | . |
| 5 | | | . | . | . | . | . | . | . | . |
| 6 | | | . | . | . | . | . | . | . | . |
| 7 | | | . | . | . | . | . | . | . | . |
| 8 | | | . | . | . | . | . | . | . | . |
| 9 | | | . | . | . | . | . | . | . | . |
| 10 | ZA13-0516 | GUZU ZÁTKA 10 | . | . | . | . | . | . | . | . |
| 11 | AX03-0018 | PRUŽINA | . | . | . | . | . | . | . | . |
| | | | | | | | | | | |
| | | | | | | | | | | |
| | | | | | | | | | | |
| | | | | | | | | | | |
| | | | | | | | | | | |
| | | | | | | | | | | |
| | | | | | | | | | | |
| | | | | | | | | | | |
| | | | | | | | | | | |
| | | | | | | | | | | |
| | | | | | | | | | | |
| | | | | | | | | | | |

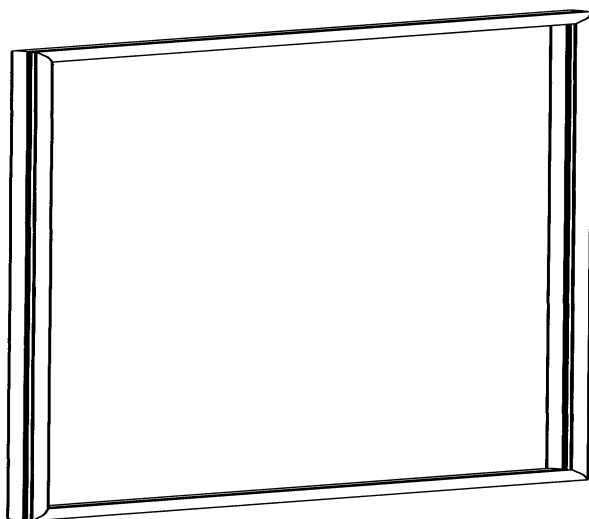
ODKAPNÍ VANIČKA - RUN OFF TRAY

DA 611

| Poz | Kód | Název | Name | Nazwa | Название | Poznámky - Note |
|-----|-----------|---------------|-----------------|----------------------------|---------------------|-----------------|
| 1 | | | | | | |
| 2 | | | | | | |
| 3 | | | | | | |
| 4 | | | | | | |
| 5 | | | | | | |
| 6 | | | | | | |
| 7 | | | | | | |
| 8 | | | | | | |
| 9 | | | | | | |
| 10 | ZA13-0516 | GUZU ZÁTKA 10 | STOPPER 10 GUZU | USZCZELKA RYNIENKI ODPLYWU | УПЛОТНИТЕЛЬ 10 GUZU | |
| 11 | AX03-0018 | PRUŽINA | SPRING | Sprężyna | ПРУЖИНА | |
| | | | | | | |
| | | | | | | |
| | | | | | | |
| | | | | | | |
| | | | | | | |
| | | | | | | |
| | | | | | | |
| | | | | | | |
| | | | | | | |
| | | | | | | |
| | | | | | | |
| | | | | | | |
| | | | | | | |
| | | | | | | |
| | | | | | | |
| | | | | | | |
| | | | | | | |
| | | | | | | |
| | | | | | | |
| | | | | | | |
| | | | | | | |
| | | | | | | |

TĚSNĚNÍ DVEŘÍ - DOOR SEAL

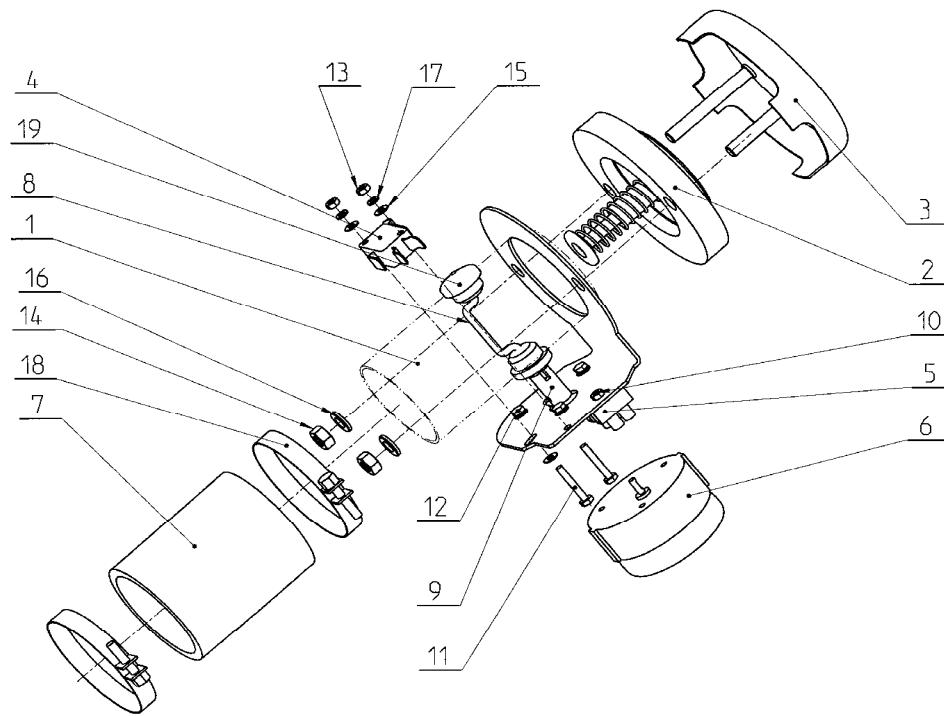
DA 611



| Poz | Kód | Název | TYP | | | | | | | | | | |
|-----|-----------|--------------|-----|----|----|----|----|----|-----|-----|---|---|---|
| | | | PI | PB | SI | SB | CI | CB | CWI | CWB | | | |
| 1 | AX00-0002 | TĚSNĚNÍ DA 6 | • | • | • | • | • | • | • | • | • | • | • |
| | | | | | | | | | | | | | |
| | | | | | | | | | | | | | |
| | | | | | | | | | | | | | |
| | | | | | | | | | | | | | |
| | | | | | | | | | | | | | |
| | | | | | | | | | | | | | |
| | | | | | | | | | | | | | |
| | | | | | | | | | | | | | |
| | | | | | | | | | | | | | |
| | | | | | | | | | | | | | |
| | | | | | | | | | | | | | |
| | | | | | | | | | | | | | |
| | | | | | | | | | | | | | |
| | | | | | | | | | | | | | |
| | | | | | | | | | | | | | |
| | | | | | | | | | | | | | |
| | | | | | | | | | | | | | |
| | | | | | | | | | | | | | |
| | | | | | | | | | | | | | |
| | | | | | | | | | | | | | |

ŘÍZENÁ KLAPKA - FLAP VALVE

DA 611



| Poz | Kód | Název | TYP | | | | | | | |
|-----|-----------|------------------------|-----|----|----|----|----|----|-----|-----|
| | | | PI | PB | SI | SB | CI | CB | CWI | CWB |
| | AC25-0100 | KLAPKA | | | | | • | • | • | • |
| 1 | | | | | | | • | • | • | • |
| 2 | AC25-0105 | ZÁTKA | | | | | • | • | • | • |
| 3 | | | | | | | • | • | • | • |
| 4 | EA01-0052 | MIKROSPÍNAČ V5 | | | | | • | • | • | • |
| 5 | | | | | | | • | • | • | • |
| 6 | EA11-0005 | MOTOR PŘEVODOVÝ DA 623 | | | | | • | • | • | • |
| 7 | AT00-0006 | HADICE KLAPKY DA 6 | | | | | • | • | • | • |
| 8 | | | | | | | • | • | • | • |
| 9 | | | | | | | • | • | • | • |
| 10 | | | | | | | • | • | • | • |
| 11 | | | | | | | • | • | • | • |
| 12 | | | | | | | • | • | • | • |
| 13 | | | | | | | • | • | • | • |
| 14 | | | | | | | • | • | • | • |
| 15 | | | | | | | • | • | • | • |
| 16 | | | | | | | • | • | • | • |
| 17 | | | | | | | • | • | • | • |
| 18 | | | | | | | • | • | • | • |
| 19 | | | | | | | • | • | • | • |

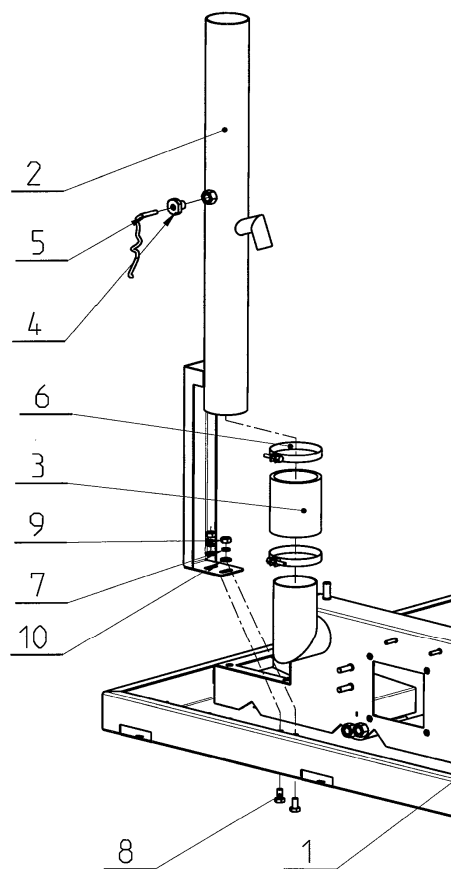
ŘÍZENÁ KLAPKA - FLAP VALVE

DA 611

| Poz | Kód | Název | Name | Nazwa | Название | Poznámky - Note |
|-----|-----------|------------------------|---------------------|--------------------------|-------------------|-----------------|
| | AC25-0100 | KLAPKA | FLAP VALVE | Kłapa | КЛАПАН | |
| 1 | | | | | | |
| 2 | AC25-0105 | ZÁTKA | PLUG | KLAPKA | ПРОБКА | |
| 3 | | | | | | |
| 4 | EA01-0052 | MIKROSPÍNAČ V5 | MIKROSWITCH | MIKROWYŁĄCZNIK KLAPKI V5 | МИКРОВКЛЮЧАТЕЛЬ | |
| 5 | | | | | | |
| 6 | EA11-0005 | MOTOR PŘEVODOVÝ DA 623 | MOTOR | SILNIK KLAPKI | ДВИГАТЕЛЬ | |
| 7 | AT00-0006 | HADICE KLAPKY DA 6 | FLAP VALVE HOSE DA6 | WAŻ ŁĄCZĄCY KLAPKE | ШЛАНГ КЛАПАНА DA6 | |
| 8 | | | | | | |
| 9 | | | | | | |
| 10 | | | | | | |
| 11 | | | | | | |
| 12 | | | | | | |
| 13 | | | | | | |
| 14 | | | | | | |
| 15 | | | | | | |
| 16 | | | | | | |
| 17 | | | | | | |
| 18 | | | | | | |
| 19 | | | | | | |
| | | | | | | |
| | | | | | | |
| | | | | | | |
| | | | | | | |
| | | | | | | |
| | | | | | | |
| | | | | | | |
| | | | | | | |
| | | | | | | |
| | | | | | | |

KOMÍN - CHIMNEY

DA 611



| Poz | Kód | Název | TYP | | | | | | | |
|-----|-----------|--------------------------|-----|----|----|----|----|----|-----|-----|
| | | | PI | PB | SI | SB | CI | CB | CWI | CWB |
| 1 | | | • | • | • | • | • | • | • | • |
| 2 | | | • | • | • | • | • | • | • | • |
| 3 | AT00-0006 | HADICE KLAPKY DA 6 | • | • | • | • | • | • | • | • |
| 4 | | | • | • | • | • | • | • | • | • |
| 5 | EA10-0006 | ČIDLO TEPLOTNÍ kab.1,5mM | | • | | • | | • | | • |
| 6 | | | • | • | • | • | • | • | • | • |
| 7 | | | • | • | • | • | • | • | • | • |
| 8 | | | • | • | • | • | • | • | • | • |
| 9 | | | • | • | • | • | • | • | • | • |
| 10 | | | • | • | • | • | • | • | • | • |
| | | | | | | | | | | |
| | | | | | | | | | | |
| | | | | | | | | | | |
| | | | | | | | | | | |
| | | | | | | | | | | |
| | | | | | | | | | | |
| | | | | | | | | | | |
| | | | | | | | | | | |
| | | | | | | | | | | |
| | | | | | | | | | | |
| | | | | | | | | | | |
| | | | | | | | | | | |
| | | | | | | | | | | |
| | | | | | | | | | | |

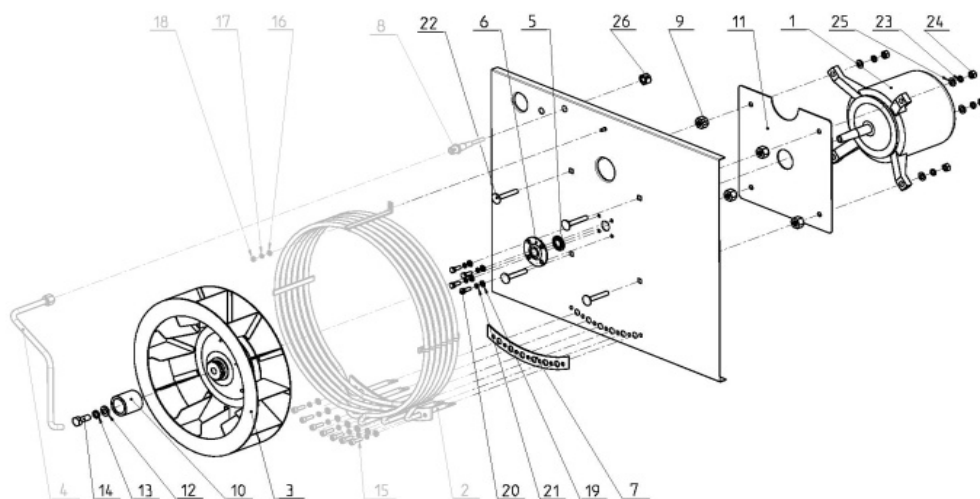
KOMÍN - CHIMNEY

DA 611

| Poz | Kód | Název | Name | Nazwa | Название | Poznámky - Note |
|-----|-----------|-------------------------|------------------------------|----------------------|------------------------|-----------------|
| 1 | | | | | | |
| 2 | | | | | | |
| 3 | AT00-0006 | HADICE KLAPKY DA 6 | FLAP VALVE HOSE DA6 | WAŻ ŁĄCZĄCY KLAPKE | ШЛАНГ КЛАПАНА DA6 | |
| 4 | | | | | | |
| 5 | EA10-0006 | ČIDLO TEPLTNÍ kab.1,5mM | TEMP. SENSOR OF DRAIN. STEAM | Czujnik odpływu pary | ДАТЧИК ТЕМПЕРАТУРЫ ПАР | |
| 6 | | | | | | |
| 7 | | | | | | |
| 8 | | | | | | |
| 9 | | | | | | |
| 10 | | | | | | |
| | | | | | | |
| | | | | | | |
| | | | | | | |
| | | | | | | |
| | | | | | | |
| | | | | | | |
| | | | | | | |
| | | | | | | |
| | | | | | | |
| | | | | | | |
| | | | | | | |
| | | | | | | |
| | | | | | | |
| | | | | | | |
| | | | | | | |
| | | | | | | |

SESTAVA VENTILÁTORU - VENTILATOR SET

DA 611



| Poz | Kód | Název | TYP | | | | | | | |
|-----|-----------|--------------------------|-----|----|----|----|----|----|-----|-----|
| | | | PI | PB | SI | SB | CI | CB | CWI | CWB |
| 1a | EA11-0006 | MOTOR TŘÍF.L9 - HANNING. | | | | | • | • | • | • |
| 1b | EA11-0013 | MOTOR HANNING L9 EB20 | • | • | • | • | | | | |
| 1b | AC11-0099 | PROPOJENÍ MOTORU | | | | | | | | |
| 3 | AX09-0001 | VENTILÁTOR průměr 320mm | • | • | • | • | • | • | • | • |
| 4 | | | | | | | | | | |
| 5 | AX00-0006 | UCPÁVKA MOTORU | • | • | • | • | • | • | • | • |
| 6 | AT00-0005 | PŘÍRUBA | • | • | • | • | • | • | • | • |
| 7 | | | • | • | • | • | • | • | • | • |
| 8 | | | • | • | • | • | • | • | • | • |
| 9 | | | • | • | • | • | • | • | • | • |
| 10 | | | • | • | • | • | • | • | • | • |
| 11 | | | • | • | • | • | • | • | • | • |
| 12 | | | • | • | • | • | • | • | • | • |
| 13 | | | • | • | • | • | • | • | • | • |
| 14 | | | • | • | • | • | • | • | • | • |
| 15 | | | • | • | • | • | • | • | • | • |
| 16 | | | • | • | • | • | • | • | • | • |
| 17 | | | • | • | • | • | • | • | • | • |
| 18 | | | • | • | • | • | • | • | • | • |
| 19 | | | • | • | • | • | • | • | • | • |
| 20 | | | • | • | • | • | • | • | • | • |
| 21 | | | • | • | • | • | • | • | • | • |
| 22 | | | • | • | • | • | • | • | • | • |
| 23 | | | • | • | • | • | • | • | • | • |
| 24 | | | • | • | • | • | • | • | • | • |
| 25 | | | • | • | • | • | • | • | • | • |
| 26 | | | • | • | • | • | • | • | • | • |
| | | | | | | | | | | |
| | | | | | | | | | | |
| | | | | | | | | | | |

1a - konvektomaty typu Comfort

1b - konvektomaty typu Standard/Practic

1a - konvektomaty typu Comfort

1b - konvektomaty typu Standard/Practic

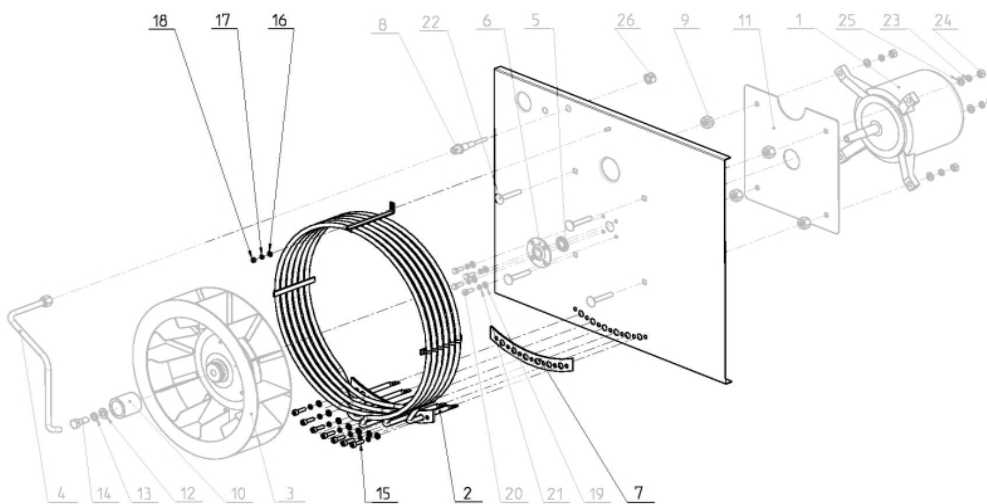
SESTAVA VENTILÁTORU - VENTILATOR SET

DA 611

| Poz | Kód | Název | Name | Nazwa | Название | Poznámky - Note |
|-----|-----------|--------------------------|----------------------------|------------------------------------|---------------------------|-----------------|
| 1a | EA11-0006 | MOTOR TŘÍF.L9 - HANNING. | ELECTRO-MOTOR - TWO- SPEED | Silnik trójfazowy - 2obr.(Comfort) | ДВИГАТЕЛЬ | |
| 1b | EA11-0013 | MOTOR HANNING L9 EB20 | MOTOR HANNING L9 EB20 | MOTOR HANNING L9 EB20 | ДВИГАТЕЛЬ HANNING L9 EB20 | |
| 2 | AC11-0099 | PROPOJENÍ MOTORU | CONNECTION FOR MOTOR | Kabel silnika | КАБЕЛЬ ДВИГАТЕЛЯ | |
| 3 | AX09-0001 | VENTILÁTOR průměr 320mm | VENTILATOR FAN ø 320mm | WENTYLATOR KOMORY ŚREDNICA | ВЕНТИЛЯТОР | |
| 4 | | | | | | |
| 5 | AX00-0006 | UCPÁVKA MOTORU | MOTOR SEAL | USZCZELNIENIE SILNIKA | САЛЬНИК ДВИГАТЕЛЯ | |
| 6 | AT00-0005 | PŘÍRUBA | FLANGE | Mocowanie uszczelnienia | ФЛАНЕЦ | |
| 7 | | | | | | |
| 8 | | | | | | |
| 9 | | | | | | |
| 10 | | | | | | |
| 11 | | | | | | |
| 12 | | | | | | |
| 13 | | | | | | |
| 14 | | | | | | |
| 15 | | | | | | |
| 16 | | | | | | |
| 17 | | | | | | |
| 18 | | | | | | |
| 19 | | | | | | |
| 20 | | | | | | |
| 21 | | | | | | |
| 22 | | | | | | |
| 23 | | | | | | |
| 24 | | | | | | |
| 25 | | | | | | |
| 26 | | | | | | |
| | | | | | | |
| | | | | | | |

SESTAVA TOPENÍ - HEATING SET

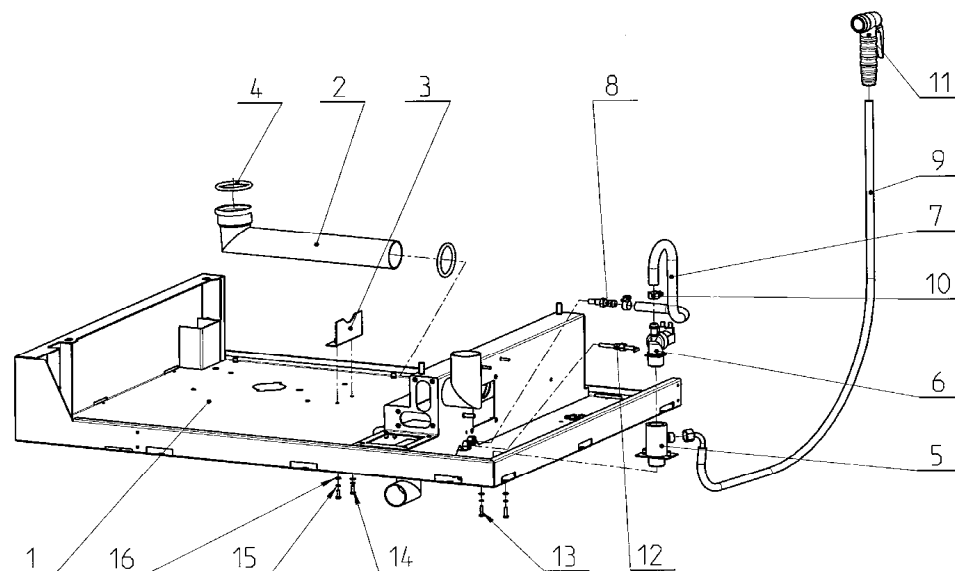
DA 611



| Poz | Kód | Název | TYP | | | | | | | | | | | |
|-----|-----------|--------------------------|-----|----|----|----|----|----|-----|-----|---|---|---|---|
| | | | PI | PB | SI | SB | CI | CB | CWI | CWB | | | | |
| 1a | | | | | | | | | | | | | | |
| 1b | | | | | | | | | | | | | | |
| 2 | EX00-0005 | TĚLESO - DA 611 | • | • | • | • | • | • | • | • | • | • | • | • |
| 3 | | | | | | | | | | | | | | |
| 4 | | | | | | | | | | | | | | |
| 5 | | | | | | | | | | | | | | |
| 6 | | | | | | | | | | | | | | |
| 7 | AX00-0008 | TĚSNĚNÍ - pod topné těl. | • | • | • | • | • | • | • | • | • | • | • | • |
| 8 | | | | | | | | | | | | | | |
| 9 | | | | | | | | | | | | | | |
| 10 | | | | | | | | | | | | | | |
| 11 | | | | | | | | | | | | | | |
| 12 | | | | | | | | | | | | | | |
| 13 | | | | | | | | | | | | | | |
| 14 | | | | | | | | | | | | | | |
| 15 | | | • | • | • | • | • | • | • | • | • | • | • | • |
| 16 | | | • | • | • | • | • | • | • | • | • | • | • | • |
| 17 | | | • | • | • | • | • | • | • | • | • | • | • | • |
| 18 | | | • | • | • | • | • | • | • | • | • | • | • | • |
| | | | | | | | | | | | | | | |
| | | | | | | | | | | | | | | |
| | | | | | | | | | | | | | | |
| | | | | | | | | | | | | | | |
| | | | | | | | | | | | | | | |
| | | | | | | | | | | | | | | |
| | | | | | | | | | | | | | | |
| | | | | | | | | | | | | | | |
| | | | | | | | | | | | | | | |
| | | | | | | | | | | | | | | |
| | | | | | | | | | | | | | | |
| | | | | | | | | | | | | | | |
| | | | | | | | | | | | | | | |

SESTAVA ODPADU - DRAIN SET

DA 611



| Poz | Kód | Název | TYP | | | | | | | |
|-----|-----------|--------------------------|-----|----|----|----|----|----|-----|-----|
| | | | PI | PB | SI | SB | CI | CB | CWI | CWB |
| 1 | | | . | . | . | . | . | . | . | . |
| 2 | | | . | . | . | . | . | . | . | . |
| 3 | | | . | . | . | . | . | . | . | . |
| 4 | ZA13-1549 | O-KROUŽEK 49,1x5,8-sil. | . | . | . | . | . | . | . | . |
| 5 | | | . | . | . | . | . | . | . | . |
| 6 | EA12-0051 | VENTIL MAGN.JEDNODUCHÝ | . | . | . | . | . | . | . | . |
| 7 | AT26-0005 | HADICE 10 CHLAZENÍ-ODPAD | . | . | . | . | . | . | . | . |
| 8 | AT01-0013 | TRYSKA | . | . | . | . | . | . | . | . |
| 9 | ZA11-0902 | HADICE GUMOVÁ-KLARCO | . | . | . | . | . | . | . | . |
| 10 | | | . | . | . | . | . | . | . | . |
| 11 | ZA15-0100 | PISTOL SPRCHOVÁ-KLARCO | . | . | . | . | . | . | . | . |
| 12 | EA10-0008 | ČIDLO TEPLOTÍ kab.2m M | . | . | . | . | . | . | . | . |
| 13 | | | . | . | . | . | . | . | . | . |
| 14 | | | . | . | . | . | . | . | . | . |
| 15 | | | . | . | . | . | . | . | . | . |
| 16 | | | . | . | . | . | . | . | . | . |
| | | | | | | | | | | |
| | | | | | | | | | | |
| | | | | | | | | | | |
| | | | | | | | | | | |
| | | | | | | | | | | |
| | | | | | | | | | | |
| | | | | | | | | | | |
| | | | | | | | | | | |
| | | | | | | | | | | |
| | | | | | | | | | | |
| | | | | | | | | | | |
| | | | | | | | | | | |
| | | | | | | | | | | |
| | | | | | | | | | | |
| | | | | | | | | | | |
| | | | | | | | | | | |

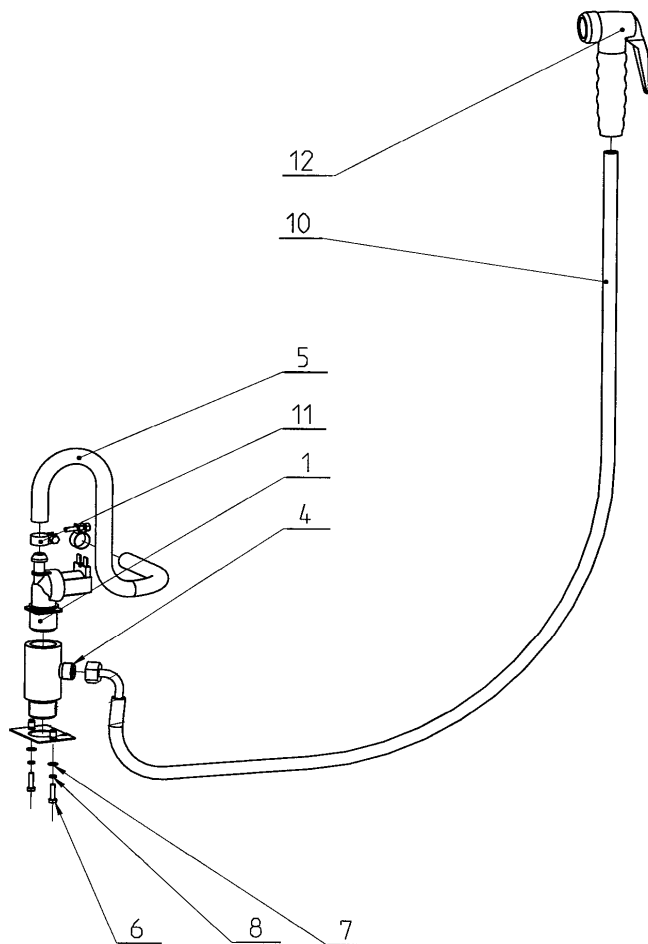
SESTAVA ODPADU - DRAIN SET

DA 611

| Poz | Kód | Název | Name | Nazwa | Название | Poznámky - Note |
|-----|-----------|--------------------------|-----------------------------|-----------------------------|---------------------------|-----------------|
| 1 | | | | | | |
| 2 | | | | | | |
| 3 | | | | | | |
| 4 | ZA13-1549 | O-KROUŽEK 49,1x5,8-sil. | O-RING | ORING 49,1x5,8-sil | ORING 49,1x5,8-sil | |
| 5 | | | | | | |
| 6 | EA12-0051 | VENTIL MAGN.JEDNODUCHÝ | SIMPLE SOLENOID VALVE | ELEKTROZAWÓR POJEDYNCZY | СОЛЕНИДНЫЙ КЛАПАН ДВОЙНО | |
| 7 | AT26-0005 | HADICE 10 CHLAZENÍ-ODPAD | HOSE FOR COOLING DRAINAGE | Wąż chłodzenia odpływu | ШЛАНГ ОХЛАЖДЕНИЯ СТОКА | |
| 8 | AT01-0013 | TRYSKA | NOZZLE | DYSZA | СОПЛО | |
| 9 | ZA11-0902 | HADICE GUMOVÁ-KLARCO | RUBBER HOSE FOR SHOWER 1,6m | WAŻ GUMOWY PRYSZNICA 160 cm | ШЛАНГ 1,6 m | |
| 10 | | | | | | |
| 11 | ZA15-0100 | PISTOL SPRCHOVÁ-KLARCO | SHOWER KLARCO | PRYSZNIC CLARKO | ДУШ КЛАРЦО | |
| 12 | EA10-0008 | ČIDLO TEPLITÍ kab.2m M | DRAINAGE TEMPERATURE SENSOR | Czujnik odpływu+bojlera | ДАТЧИК ТЕМПЕРАТУРЫ БОЙЛЕР | |
| 13 | | | | | | |
| 14 | | | | | | |
| 15 | | | | | | |
| 16 | | | | | | |
| | | | | | | |
| | | | | | | |
| | | | | | | |
| | | | | | | |
| | | | | | | |
| | | | | | | |
| | | | | | | |
| | | | | | | |
| | | | | | | |
| | | | | | | |
| | | | | | | |
| | | | | | | |
| | | | | | | |
| | | | | | | |
| | | | | | | |
| | | | | | | |
| | | | | | | |
| | | | | | | |
| | | | | | | |
| | | | | | | |
| | | | | | | |
| | | | | | | |
| | | | | | | |

SESTAVA SPRCHY - SHOWER SET

DA 611



| Poz | Kód | Název | TYP | | | | | | | | | |
|-----|-----------|--------------------------|-----|----|----|----|----|----|-----|-----|---|---|
| | | | PI | PB | SI | SB | CI | CB | CWI | CWB | | |
| 1 | EA12-0051 | VENTIL MAGN.JEDNODUCHÝ | • | • | • | • | • | • | | | | |
| 2 | | | | | | | | | | | | |
| 3 | | | | | | | | | | | | |
| 4 | AC26-0201 | TĚLO | • | • | • | • | • | • | • | • | • | • |
| 5 | AT26-0005 | HADICE 10 CHLAZENÍ-ODPAD | • | • | • | • | • | • | • | • | • | • |
| 6 | | | • | • | • | • | • | • | • | • | • | • |
| 7 | | | • | • | • | • | • | • | • | • | • | • |
| 8 | | | • | • | • | • | • | • | • | • | • | • |
| 9 | | | | | | | | | | | | |
| 10 | ZA11-0902 | HADICE GUMOVÁ-KLARCO | • | • | • | • | • | • | • | • | • | • |
| 11 | | | • | • | • | • | • | • | • | • | • | • |
| 12 | ZA15-0100 | PISTOL SPRCHOVÁ-KLARCO | • | • | • | • | • | • | • | • | • | • |
| | | | | | | | | | | | | |
| | | | | | | | | | | | | |
| | | | | | | | | | | | | |
| | | | | | | | | | | | | |
| | | | | | | | | | | | | |
| | | | | | | | | | | | | |
| | | | | | | | | | | | | |
| | | | | | | | | | | | | |
| | | | | | | | | | | | | |
| | | | | | | | | | | | | |
| | | | | | | | | | | | | |
| | | | | | | | | | | | | |

SESTAVA SPRCHY - SHOWER SET

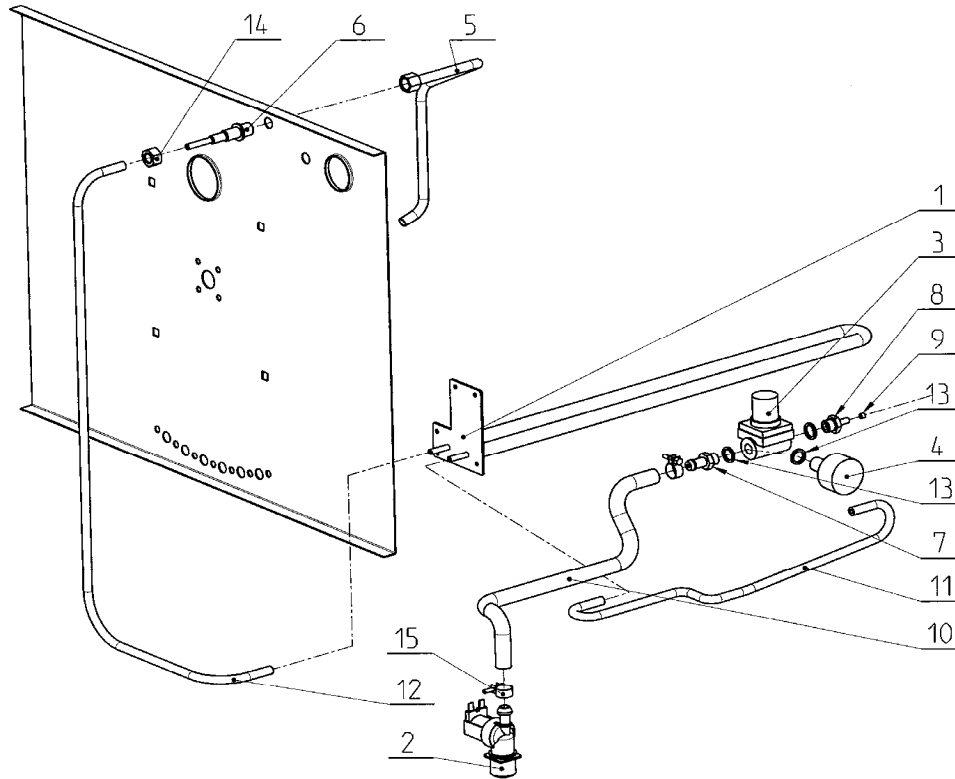
DA 611

| Poz | Kód | Název | Name | Nazwa | Название | Poznámky - Note |
|-----|-----------|--------------------------|-----------------------------|-----------------------------|----------------------------|-----------------|
| 1 | EA12-0051 | VENTIL MAGN.JEDNODUCHÝ | SIMPLE SOLENOID VALVE | ELEKTROZAWÓR POJEDYNCZY | СОЛЕНОИДНЫЙ КЛАПАН ДВОЙНОЙ | |
| 2 | | | | | | |
| 3 | | | | | | |
| 4 | AC26-0201 | TĚLO | BODY | Rozdzielacz | ТЕЛО | |
| 5 | AT26-0005 | HADICE 10 CHLAZENÍ-ODPAD | HOSE FOR COOLING DRAINAGE | Wąż chłodzenia odpływu | ШЛАНГ ОХЛАЖДЕНИЯ СТОКА | |
| 6 | | | | | | |
| 7 | | | | | | |
| 8 | | | | | | |
| 9 | | | | | | |
| 10 | ZA11-0902 | HADICE GUMOVÁ-KLARCO | RUBBER HOSE FOR SHOWER 1,6m | WAŻ GUMOWY PRYSZNICA 160 cm | ШЛАНГ 1,6 m | |
| 11 | | | | | | |
| 12 | ZA15-0100 | PISTOL SPRCHOVÁ-KLARCO | SHOWER KLARCO | PRYSZNIC CLARKO | ДУШ КЛАРЦО | |
| | | | | | | |
| | | | | | | |
| | | | | | | |
| | | | | | | |
| | | | | | | |
| | | | | | | |
| | | | | | | |
| | | | | | | |
| | | | | | | |
| | | | | | | |
| | | | | | | |
| | | | | | | |
| | | | | | | |
| | | | | | | |
| | | | | | | |

SESTAVA VODY - NÁSTŘIK

WATER SET - INJECT

DA 611



| Poz | Kód | Název | TYP | | | | | | | |
|-----|-----------|--------------------------|-----|----|----|----|----|----|-----|-----|
| | | | PI | PB | SI | SB | CI | CB | CWI | CWB |
| 1 | AC01-0103 | REKUPERÁTOR NÁSTŘÍK | • | | • | | • | | • | |
| 2 | EA12-0051 | VENTIL MAGN.JEDNODUCHÝ | • | | • | | • | | | |
| 3 | ZA12-0201 | REGULÁTOR TLAKU MW | • | | • | | • | | • | |
| 4 | ZA12-0401 | MANOMETR 0-1bar,WIKA | • | | • | | • | | • | |
| 5 | AC12-0100 | TRUBKA NÁSTŘIKOVÁ | • | | • | | • | | • | |
| 6 | XT00-0001 | PRŮCHODKA | • | | • | | • | | • | |
| 7 | AT29-0001 | TRYSKA | • | | • | | • | | • | |
| 8 | AT29-0002 | TRYSKA | • | | • | | • | | • | |
| 9 | AT00-0011 | TRYSKA | • | | • | | • | | • | |
| 10 | AT26-0001 | HADICE10 VENTIL-RED.VEN. | • | | • | | • | | • | |
| 11 | AT00-0009 | HADIČKA NÁSTŘIKU | • | | • | | • | | • | |
| 12 | AT00-0010 | HADIČKA NÁSTŘIKU 6 | • | | • | | • | | • | |
| 13 | | | • | | • | | • | | • | |
| 14 | ZD00-0012 | MATICE M 12 | • | | • | | • | | • | |
| 15 | | | • | | • | | • | | • | |
| | | | | | | | | | | |
| | | | | | | | | | | |
| | | | | | | | | | | |
| | | | | | | | | | | |
| | | | | | | | | | | |
| | | | | | | | | | | |
| | | | | | | | | | | |
| | | | | | | | | | | |
| | | | | | | | | | | |
| | | | | | | | | | | |
| | | | | | | | | | | |
| | | | | | | | | | | |
| | | | | | | | | | | |
| | | | | | | | | | | |
| | | | | | | | | | | |
| | | | | | | | | | | |
| | | | | | | | | | | |
| | | | | | | | | | | |
| | | | | | | | | | | |

SESTAVA VODY - NÁSTŘIK

WATER SET - INJECT

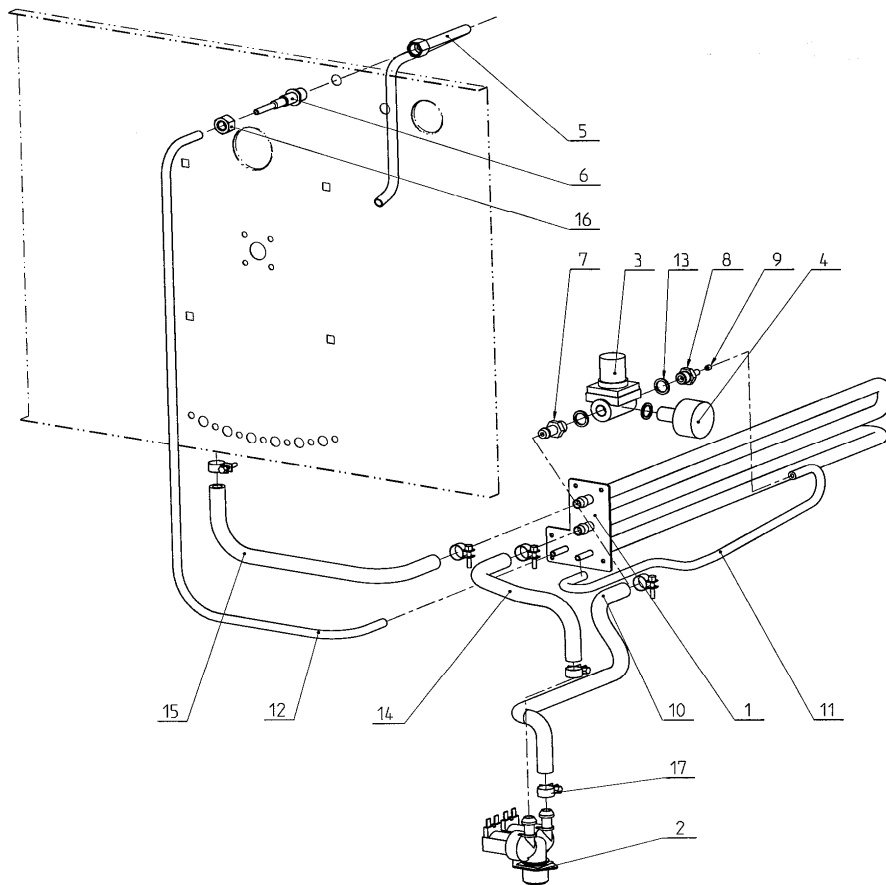
DA 611

| Poz | Kód | Název | Name | Nazwa | Название | Poznámky - Note |
|-----|-----------|--------------------------|-----------------------|------------------------------------|----------------------------|-----------------|
| 1 | AC01-0103 | REKUPERÁTOR NÁSTŘIK | RECOUPERATOR INJECT | Rekuperator | РЕКУПЕРАТОР | |
| 2 | EA12-0051 | VENTIL MAGN.JEDNODUCHÝ | SIMPLE SOLENOID VALVE | ELEKTROZAWÓR POJEDYNCZY | СОЛЕНОИДНЫЙ КЛАПАН ДВОЙНОЙ | |
| 3 | ZA12-0201 | REGULÁTOR TLAKU MW | WATER REDUCTING VALVE | REGULATOR CIŚNIENIA WODY | РЕГУЛЯТОР ДАВЛЕНИЯ ВОДЫ | |
| 4 | ZA12-0401 | MANOMETR 0-1bar,WIKA | MANOMETER | MANOMETR 0-1 bar | МАНОМЕТР | |
| 5 | AC12-0100 | TRUBKA NÁSTŘIKOVÁ | SPRAY TUBE | Rurka natryskowa | ТРУБКА НАБРЫЗГИВАНИЯ | |
| 6 | XT00-0001 | PRŮCHODKA | BUSHING | Rurka przejściowa | ПРОХОДНОЙ ИЗОЛЯТОР | |
| 7 | AT29-0001 | TRYSKA | NOZZLE | Dyszka | СОПЛО | |
| 8 | AT29-0002 | TRYSKA | NOZZLE | Dyszka | СОПЛО | |
| 9 | AT00-0011 | TRYSKA | NOZZLE | Dysza | СОПЛО | |
| 10 | AT26-0001 | HADICE10 VENTIL-RED.VEN. | HOSE VALVE-RED. VALVE | Wąż od zaworu red. - elektrozaworu | ШЛАНГ ВЕНТИЛЬ -РЕКУПЕРАТОР | |
| 11 | AT00-0009 | HADIČKA NÁSTŘIKU | SPRAY HOSE | Wąż natrysku | ШЛАНГ НАБРЫЗГА | |
| 12 | AT00-0010 | HADIČKA NÁSTŘIKU 6 | SPRAY HOSE | Wąż natrysku | ШЛАНГ НАБРЫЗГА | |
| 13 | | | | | | |
| 14 | ZD00-0012 | MATICE M 12 | NUT M12 | Nakrętka M12 | ГАЙКА M12 | |
| 15 | | | | | | |
| | | | | | | |
| | | | | | | |
| | | | | | | |
| | | | | | | |
| | | | | | | |
| | | | | | | |
| | | | | | | |
| | | | | | | |
| | | | | | | |
| | | | | | | |
| | | | | | | |
| | | | | | | |
| | | | | | | |
| | | | | | | |
| | | | | | | |
| | | | | | | |

SESTAVA VODY - BOJLER

WATER SET - BOILER

DA 611



| Poz | Kód | Název | TYP | | | | | | | | | |
|-----|-----------|--------------------------|-----|----|----|----|----|----|-----|-----|--|---|
| | | | PI | PB | SI | SB | CI | CB | CWI | CWB | | |
| 1 | AC01-0102 | REKUPERÁTOR BOJLER | | • | | • | | • | | | | • |
| 2 | EA12-0050 | VENTIL MAGN. DVOJITÝ | | • | | • | | • | | | | |
| 3 | ZA12-0201 | REGULÁTOR TLAKU MW | | • | | • | | • | | | | • |
| 4 | ZA12-0401 | MANOMETR 0-1bar,WIKA | | • | | • | | • | | | | • |
| 5 | AC12-0100 | TRUBKA NÁSTŘIKOVÁ | | • | | • | | • | | | | • |
| 6 | XT00-0001 | PRŮCHODKA | | • | | • | | • | | | | • |
| 7 | AT29-0001 | TRYSKA | | • | | • | | • | | | | • |
| 8 | AT29-0002 | TRYSKA | | • | | • | | • | | | | • |
| 9 | AT00-0011 | TRYSKA | | • | | • | | • | | | | • |
| 10 | AT26-0001 | HADICE10 VENTIL-RED.VEN. | | • | | • | | • | | | | • |
| 11 | AT00-0009 | HADIČKA NÁSTŘIKU | | • | | • | | • | | | | • |
| 12 | AT00-0010 | HADIČKA NÁSTŘIKU 6 | | • | | • | | • | | | | • |
| 13 | ZA13-0002 | TĚSNĚNÍ G 1/4" | | • | | • | | • | | | | • |
| 14 | AT26-0002 | HADICE 10 VENTIL-REKUP. | | • | | • | | • | | | | • |
| 15 | AT24-0022 | HADICE BOJLERU 10 | | • | | • | | • | | | | • |
| 16 | ZD00-0012 | MATICE M 12 | | • | | • | | • | | | | • |
| 17 | | | | • | | • | | • | | | | • |
| | | | | | | | | | | | | |
| | | | | | | | | | | | | |
| | | | | | | | | | | | | |
| | | | | | | | | | | | | |
| | | | | | | | | | | | | |
| | | | | | | | | | | | | |
| | | | | | | | | | | | | |
| | | | | | | | | | | | | |
| | | | | | | | | | | | | |
| | | | | | | | | | | | | |
| | | | | | | | | | | | | |
| | | | | | | | | | | | | |
| | | | | | | | | | | | | |
| | | | | | | | | | | | | |

SESTAVA VODY - BOJLER WATER SET - BOILER

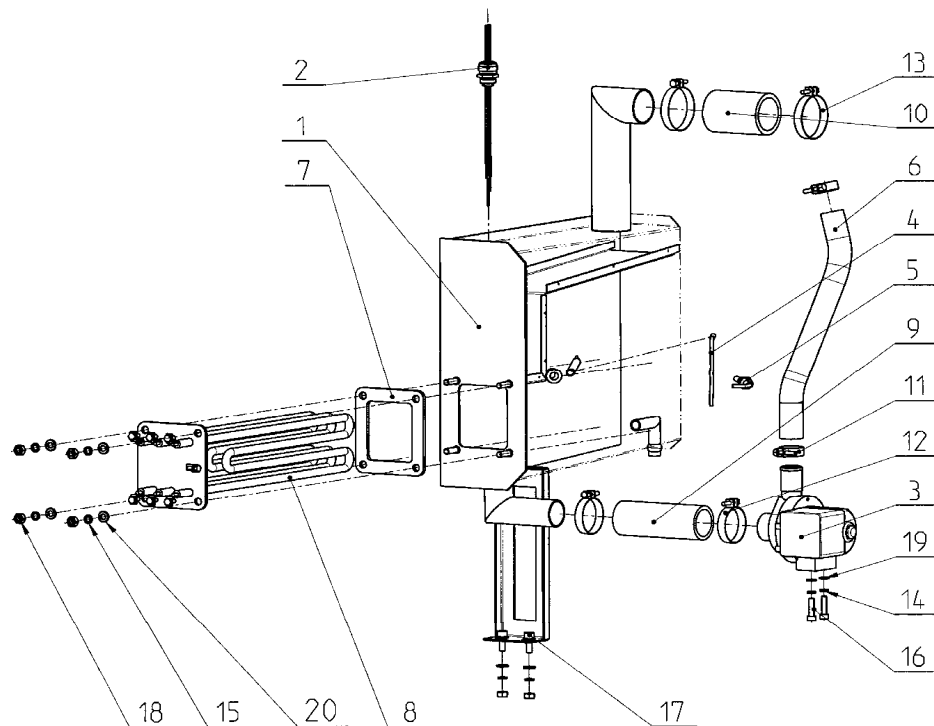
DA 611

| Poz | Kód | Název | Name | Nazwa | Название | Poznámky - Note |
|-----|-----------|--------------------------|------------------------|------------------------------------|-----------------------------|-----------------|
| 1 | AC01-0102 | REKUPERÁTOR BOJLER | RECOUPERATOR BOILER | Rekuperator | РЕКУПЕРАТОР | |
| 2 | EA12-0050 | VENTIL MAGN. DVOJITÝ | DOUBLE SOLENOID VALVE | ELEKTROZAWÓR PODWÓJNY | СОЛЕНОИДНЫЙ КЛАПАН ПРОСТОЙ | |
| 3 | ZA12-0201 | REGULÁTOR TLAKU MW | WATER REDUCTING VALVE | REGULATOR CIŚNIENIA WODY | РЕГУЛЯТОР ДАВЛЕНИЯ ВОДЫ | |
| 4 | ZA12-0401 | MANOMETR 0-1bar,WIKA | MANOMETER | MANOMETR 0-1 bar | МАНОМЕТР | |
| 5 | AC12-0100 | TRUBKA NÁSTŘIKOVÁ | SPRAY TUBE | Rurka natryskowa | ТРУБКА НАБРЫЗГИВАНИЯ | |
| 6 | XT00-0001 | PRŮCHODKA | BUSHING | Rurka przejściowa | ПРОХОДНОЙ ИЗОЛЯТОР | |
| 7 | AT29-0001 | TRYSKA | NOZZLE | Dyszka | СОПЛО | |
| 8 | AT29-0002 | TRYSKA | NOZZLE | Dyszka | СОПЛО | |
| 9 | AT00-0011 | TRYSKA | NOZZLE | Dysza | СОПЛО | |
| 10 | AT26-0001 | HADICE10 VENTIL-RED.VEN. | HOSE VALVE-RED. VALVE | Wąż od zaworu red. - elektrozaworu | ШЛАНГ ВЕНТИЛЬ -РЕКУПЕРАТОР | |
| 11 | AT00-0009 | HADIČKA NÁSTŘIKU | SPRAY HOSE | Wąż natrysku | ШЛАНГ НАБРЫЗГА | |
| 12 | AT00-0010 | HADIČKA NÁSTŘIKU 6 | SPRAY HOSE | Wąż natrysku | ШЛАНГ НАБРЫЗГА | |
| 13 | ZA13-0002 | TĚSNĚNÍ G 1/4" | SEAL G 1/4 | Uszczelka G 1/4 | УПЛОТНИТЕЛЬНОЕ КОЛЬЦО G 1/4 | |
| 14 | AT26-0002 | HADICE 10 VENTIL-REKUP. | HOSE VALVE-RECUPERATOR | Wąż od zawór - rekuperatora | ШЛАНГ ВЕНТИЛЬ -РЕКУПЕРАТОР | |
| 15 | AT24-0022 | HADICE BOJLERU 10 | BOILER HOSE | Wąż do bojlera | ШЛАНГ | |
| 16 | ZD00-0012 | MATICE M 12 | NUT M12 | Nakrętka M12 | ГАЙКА M12 | |
| 17 | | | | | | |
| | | | | | | |
| | | | | | | |
| | | | | | | |
| | | | | | | |
| | | | | | | |
| | | | | | | |
| | | | | | | |
| | | | | | | |
| | | | | | | |
| | | | | | | |
| | | | | | | |
| | | | | | | |
| | | | | | | |

SESTAVA BOJLERU

BOILER SET

DA 611



| Poz | Kód | Název | TYP | | | | | | | | | |
|-----|-----------|-----------------------------|-----|----|----|----|----|----|-----|-----|--|---|
| | | | PI | PB | SI | SB | CI | CB | CWI | CWB | | |
| 1 | AC24-0100 | BOJLER 6 | | • | | • | | • | | | | • |
| 2 | AC24-0101 | ČIDLO HLADINY | | • | | • | | • | | | | • |
| 3 | EA12-0001 | ČERPADLO PLASET | | • | | • | | • | | | | • |
| 4 | EA04-0011 | POJ.KAP.TEPELNÁ 140°C | | • | | • | | • | | | | • |
| 5 | EA10-0007 | ČIDLO TEPLOTNÍ kab.1,5mM | | • | | • | | • | | | | • |
| 6 | AT00-0008 | HADICE KOMÍNKU 6,20 | | • | | • | | • | | | | • |
| 7 | AX24-0002 | TĚSNĚNÍ | | • | | • | | • | | | | • |
| 8 | EX24-0006 | TOPNÉ TĚLESO BOJLER 9kW VIS | | • | | • | | • | | | | • |
| 9 | ZA11-0901 | HADICE SPOJOVACÍ | | • | | • | | • | | | | • |
| 10 | ZA10-0500 | SPOJKA SILIKON | | • | | • | | • | | | | • |
| 11 | | | | • | | • | | • | | | | • |
| 12 | | | | • | | • | | • | | | | • |
| 13 | | | | • | | • | | • | | | | • |
| 14 | | | | • | | • | | • | | | | • |
| 15 | | | | • | | • | | • | | | | • |
| 16 | | | | • | | • | | • | | | | • |
| 17 | | | | • | | • | | • | | | | • |
| 18 | | | | • | | • | | • | | | | • |
| 19 | | | | • | | • | | • | | | | • |
| 20 | | | | • | | • | | • | | | | • |
| | | | | | | | | | | | | |
| | | | | | | | | | | | | |
| | | | | | | | | | | | | |
| | | | | | | | | | | | | |
| | | | | | | | | | | | | |
| | | | | | | | | | | | | |
| | | | | | | | | | | | | |
| | | | | | | | | | | | | |
| | | | | | | | | | | | | |
| | | | | | | | | | | | | |
| | | | | | | | | | | | | |
| | | | | | | | | | | | | |

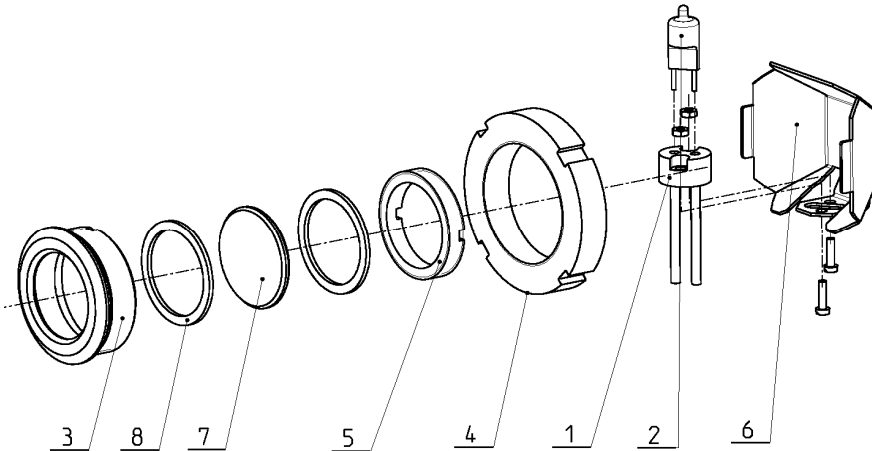
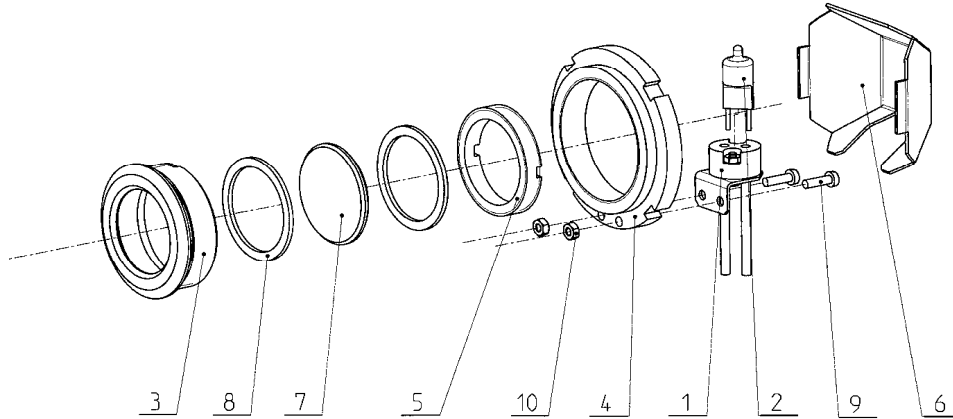
SESTAVA BOJLERU BOILER SET

DA 611

| Poz | Kód | Název | Name | Nazwa | Название | Poznámky - Note |
|-----|-----------|---------------------------|----------------------------------|-------------------------------|------------------------------|-----------------|
| 1 | AC24-0100 | BOJLER 6 | BOILER 6 | Bojler 6 | БОЙЛЕР 6 | |
| 2 | AC24-0101 | ČIDLO HLADINY | SENSOR FOR WATER LEVEL | Czujnik poziomu | ДАТЧИК УРОВНЯ | |
| 3 | EA12-0001 | ČERPADLO PLASET | PUMP | POMPKA | НАСОС | |
| 4 | EA04-0011 | POJ.KAP.TEPELNÁ 140°C | THERMAL FUSE BOILER 140 °C | BEZPIECZNIK TERMICZNY BOJLERA | ТЕПЛОТ.ПРЕДОХР.БОЙЛЕР 140 °C | |
| 5 | EA10-0007 | ČIDLO TEPLONÍ kab.1,5mM | DRAINAGE/BOILER TEMP. SENSOR | Czujnik odpływu+bojlera | ДАТЧИК ТЕМПЕРАТУРЫ БОЙЛЕР | |
| 6 | AT00-0008 | HADICE KOMINKU 6,20 | FLUE HOSE 6 | Wąż od kominka | ШЛАНГ ВЫТЯЖНОЙ ТРУБЫ 6 | |
| 7 | AX24-0002 | TĚSNĚNÍ | BOILER HEATING ELEMENT SEAL | USZCZELKA GRZAŁKI BOJLERA | УПЛОТНИТ. ПРОКЛАДКА | |
| 8 | EX24-0006 | TOPNÉ TĚLESO BOJLER 9kW V | BOILER HEATING ELEMENT 9 kW VISI | GRZAŁKA BOJLERA 9kW DA 6 | НАГРЕВАТЕЛЬНЫЙ ЭЛЕМЕНТ 9 kW | |
| 9 | ZA11-0901 | HADICE SPOJOVACÍ | CONNECTING HOSE PUMP-BOILER | WAŻ ŁĄCZĄCY | ШЛАНГ | |
| 10 | ZA10-0500 | SPOJKA SILIKON | SILICON TUBE CONECTION | WAŻ ŁĄCZĄCY BOJLER Z KOMORA | ШЛАНГ | |
| 11 | | | | | | |
| 12 | | | | | | |
| 13 | | | | | | |
| 14 | | | | | | |
| 15 | | | | | | |
| 16 | | | | | | |
| 17 | | | | | | |
| 18 | | | | | | |
| 19 | | | | | | |
| 20 | | | | | | |
| | | | | | | |
| | | | | | | |
| | | | | | | |
| | | | | | | |
| | | | | | | |
| | | | | | | |
| | | | | | | |
| | | | | | | |

SESTAVA SVĚTLA - LIGHT SET

DA 611



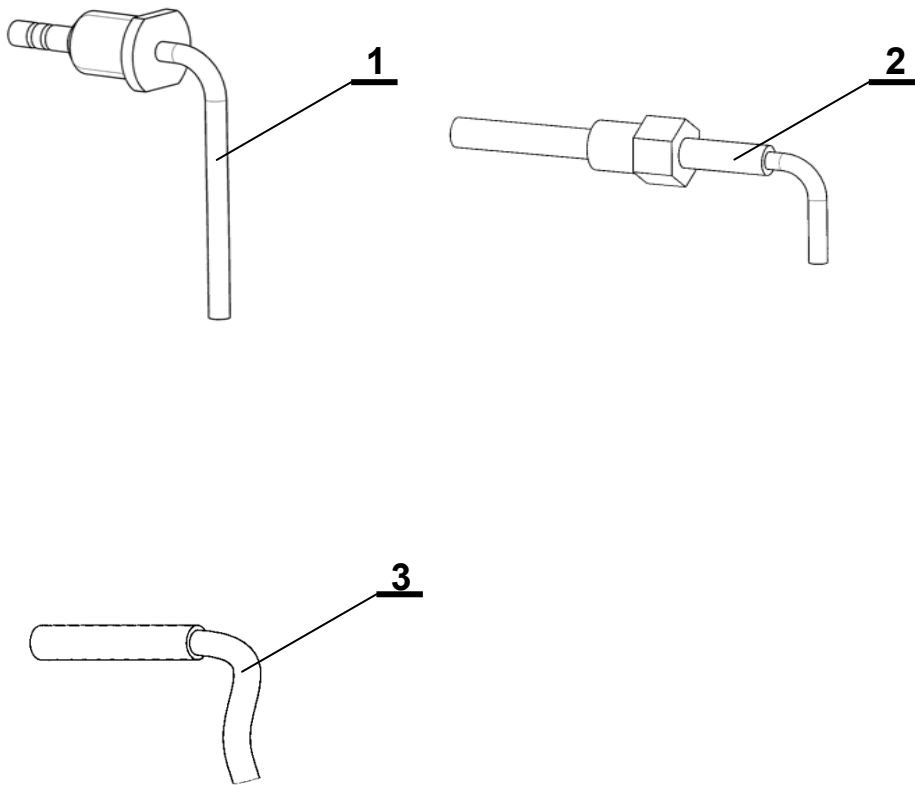
| Poz | Kód | Název | TYP | | | | | | | | |
|-----|-----------|--------------------------|-----|----|----|----|----|----|-----|-----|---|
| | | | PI | PB | SI | SB | CI | CB | CWI | CWB | |
| | AC07-0100 | SVĚTLO | • | • | • | • | • | • | • | • | • |
| 1 | EA13-0101 | PATICE HALOGENOVÁ | • | • | • | • | • | • | • | • | • |
| 2 | EA13-0100 | ŽÁROVKA HALOGEN. - OSRAM | • | • | • | • | • | • | • | • | • |
| 3 | | | • | • | • | • | • | • | • | • | • |
| 4 | | | • | • | • | • | • | • | • | • | • |
| 5 | | | • | • | • | • | • | • | • | • | • |
| 6 | | | • | • | • | • | • | • | • | • | • |
| 7 | AX07-0001 | SKLÍČKO DO SVĚTEL | • | • | • | • | • | • | • | • | • |
| 8 | AX07-0002 | TĚSNĚNÍ GUSHU-KROUŽEK | • | • | • | • | • | • | • | • | • |
| 9 | | | • | • | • | • | • | • | • | • | • |
| 10 | | | • | • | • | • | • | • | • | • | • |
| | | | | | | | | | | | |
| | | | | | | | | | | | |
| | | | | | | | | | | | |
| | | | | | | | | | | | |
| 1 | EA13-0101 | PATICE HALOGENOVÁ | • | | | | • | | | | |
| 2 | EA13-0100 | ŽÁROVKA HALOGEN. - OSRAM | • | | | | • | | | | |
| 3 | | | • | | | | • | | | | |
| 4 | | | • | | | | • | | | | |
| 5 | | | • | | | | • | | | | |
| 6 | | | • | | | | • | | | | |
| 7 | AX07-0001 | SKLÍČKO DO SVĚTEL | • | | | | • | | | | |
| 8 | AX07-0002 | TĚSNĚNÍ GUSHU-KROUŽEK | • | | | | • | | | | |
| | | | | | | | | | | | |
| | | | | | | | | | | | |
| | | | | | | | | | | | |
| | | | | | | | | | | | |
| | | | | | | | | | | | |
| | | | | | | | | | | | |
| | | | | | | | | | | | |
| | | | | | | | | | | | |

SESTAVA SVĚTLA - LIGHT SET

DA 611

| Poz | Kód | Název | Name | Nazwa | Название | Poznámky - Note |
|-----|-----------|--------------------------|--------------------|---------------------|-------------------------|-----------------|
| | AC07-0100 | SVĚTLO | LIGHT COMPLETE SET | Światło | ЛАМПА КОМПЛЕТНАЯ | |
| 1 | EA13-0101 | PATICE HALOGENOVÁ | HALOGEN LAMP BASE | OPRAWKA ŻARÓWKI | ЦОКОЛЬ | |
| 2 | EA13-0100 | ŽÁROVKA HALOGEN. - OSRAM | HALOGEN LAMP | ŻARÓWKA HALOGENOWA | ГАЛОГЕННАЯ ЛАМПОЧКА | |
| 3 | | | | | | |
| 4 | | | | | | |
| 5 | | | | | | |
| 6 | | | | | | |
| 7 | AX07-0001 | SKLÍČKO DO SVĚTEL | GLASS PLATE | Szko do światła | СТЕКЛО ДЛЯ СВЕТИЛЬНИКОВ | |
| 8 | AX07-0002 | TĚSNĚNÍ GUSHU-KROUŽEK | SEAL GUSCHU-RING | Uszczelka - okrągła | ПРОКЛАДКА GUSCHU-КОЛЬЦО | |
| 9 | | | | | | |
| 10 | | | | | | |
| | | | | | | |
| | | | | | | |
| | | | | | | |
| 1 | EA13-0101 | PATICE HALOGENOVÁ | HALOGEN LAMP BASE | OPRAWKA ŻARÓWKI | ЦОКОЛЬ | |
| 2 | EA13-0100 | ŽÁROVKA HALOGEN. - OSRAM | HALOGEN LAMP | ŻARÓWKA HALOGENOWA | ГАЛОГЕННАЯ ЛАМПОЧКА | |
| 3 | | | | | | |
| 4 | | | | | | |
| 5 | | | | | | |
| 6 | | | | | | |
| 7 | AX07-0001 | SKLÍČKO DO SVĚTEL | GLASS PLATE | Szko do światła | СТЕКЛО ДЛЯ СВЕТИЛЬНИКОВ | |
| 8 | AX07-0002 | TĚSNĚNÍ GUSHU-KROUŽEK | SEAL GUSCHU-RING | Uszczelka - okrągła | ПРОКЛАДКА GUSCHU-КОЛЬЦО | |
| | | | | | | |
| | | | | | | |
| | | | | | | |
| | | | | | | |
| | | | | | | |
| | | | | | | |
| | | | | | | |
| | | | | | | |

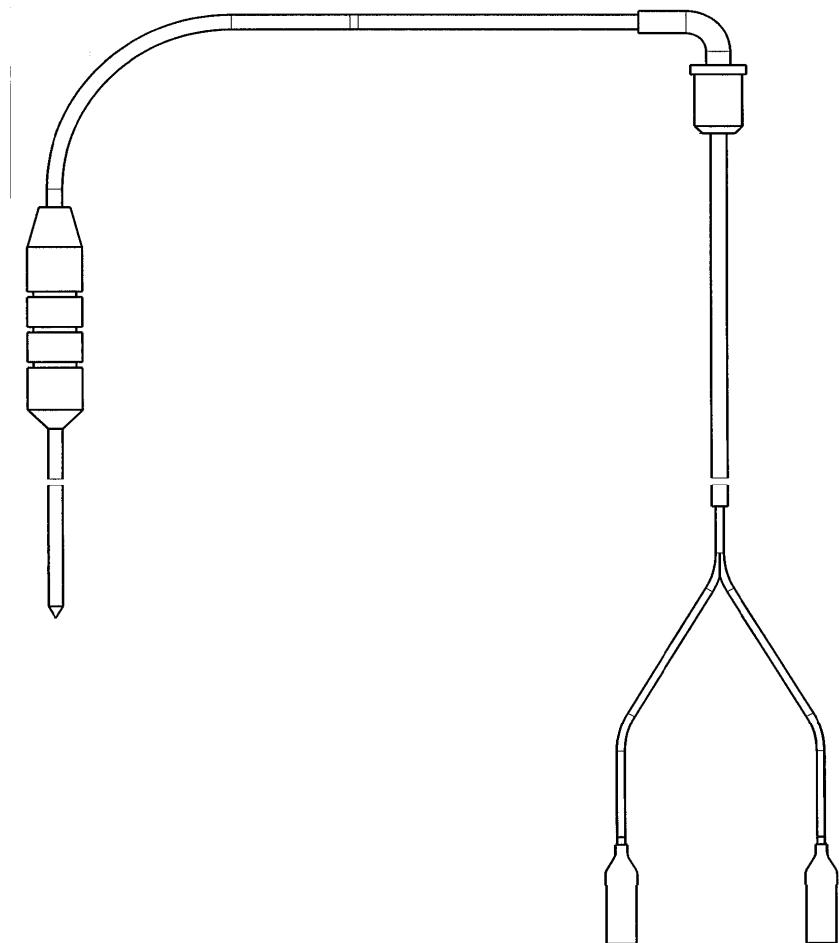
ČIDLA TEPLoty - TEMPERATURE SENSORS DA 611



| Poz | Kód | Název | TYP | | | | | | | |
|-----|-----------|--------------------------|-----|----|----|----|----|----|-----|-----|
| | | | PI | PB | SI | SB | CI | CB | CWI | CWB |
| 1 | EA10-0073 | SONDA PROSTOR - M | • | • | • | • | • | • | • | • |
| 2 | EA10-0007 | ČIDLO TEPLOTNÍ kab.1,5mM | • | • | • | • | • | • | • | • |
| 3 | EA10-0006 | ČIDLO TEPLOTNÍ kab.1,5mM | | • | | • | | • | | • |
| | | | | | | | | | | |
| | | | | | | | | | | |
| | | | | | | | | | | |
| | | | | | | | | | | |
| | | | | | | | | | | |
| | | | | | | | | | | |
| | | | | | | | | | | |
| | | | | | | | | | | |
| | | | | | | | | | | |
| | | | | | | | | | | |
| | | | | | | | | | | |
| | | | | | | | | | | |
| | | | | | | | | | | |
| | | | | | | | | | | |
| | | | | | | | | | | |
| | | | | | | | | | | |
| | | | | | | | | | | |
| | | | | | | | | | | |
| | | | | | | | | | | |

VPICHOVACÍ JEHLA TŘÍBODOVÁ

3-POINTS CORE PROBE



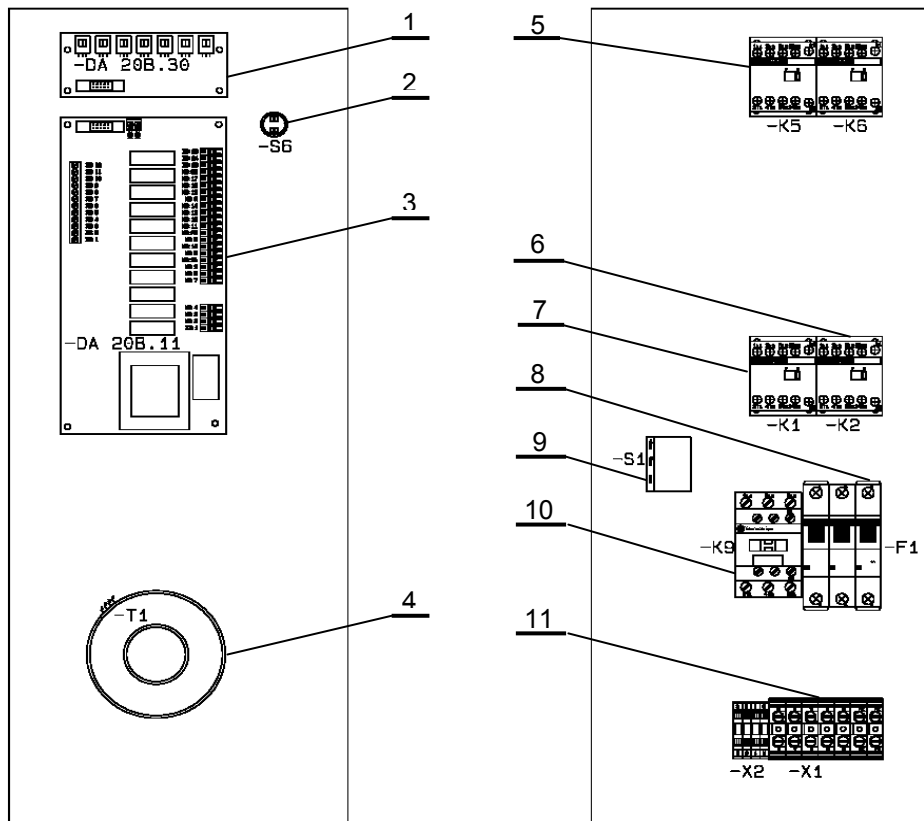
| Poz | Kód | Název | TYP | | | | | | | |
|-----|-----------|------------------------|-----|----|----|----|----|----|-----|-----|
| | | | PI | PB | SI | SB | CI | CB | CWI | CWB |
| 1 | EA10-0068 | SONDA VPICHOVACÍ - M/3 | | | | | • | • | • | • |
| | | | | | | | | | | |
| | | | | | | | | | | |
| | | | | | | | | | | |
| | | | | | | | | | | |
| | | | | | | | | | | |
| | | | | | | | | | | |
| | | | | | | | | | | |
| | | | | | | | | | | |
| | | | | | | | | | | |
| | | | | | | | | | | |
| | | | | | | | | | | |
| | | | | | | | | | | |
| | | | | | | | | | | |
| | | | | | | | | | | |
| | | | | | | | | | | |
| | | | | | | | | | | |
| | | | | | | | | | | |
| | | | | | | | | | | |
| | | | | | | | | | | |
| | | | | | | | | | | |

VPICHOVACÍ JEHLA TŘÍBODOVÁ**3-POINTS CORE PROBE**

| Poz | Kód | Název | Name | Nazwa | Название | Poznámky - Note |
|-----|-----------|------------------------|----------------------------|--------------|-------------------------|-----------------|
| 1 | EA10-0068 | SONDA VPICHOVACÍ - M/3 | 3-POINTS CORE PROBE - D611 | Sonda DA 611 | ДАТЧИК ТЕМПЕРАТУРЫ ИГЛА | |
| | | | | | | |
| | | | | | | |
| | | | | | | |
| | | | | | | |
| | | | | | | |
| | | | | | | |
| | | | | | | |
| | | | | | | |
| | | | | | | |
| | | | | | | |
| | | | | | | |
| | | | | | | |
| | | | | | | |
| | | | | | | |
| | | | | | | |
| | | | | | | |
| | | | | | | |
| | | | | | | |
| | | | | | | |
| | | | | | | |
| | | | | | | |
| | | | | | | |
| | | | | | | |
| | | | | | | |
| | | | | | | |
| | | | | | | |
| | | | | | | |
| | | | | | | |
| | | | | | | |
| | | | | | | |
| | | | | | | |
| | | | | | | |
| | | | | | | |
| | | | | | | |
| | | | | | | |

ELEKTRICKÁ INSTALACE - ELECTRICAL INSTALLATION

DA 611 IS/IP 1



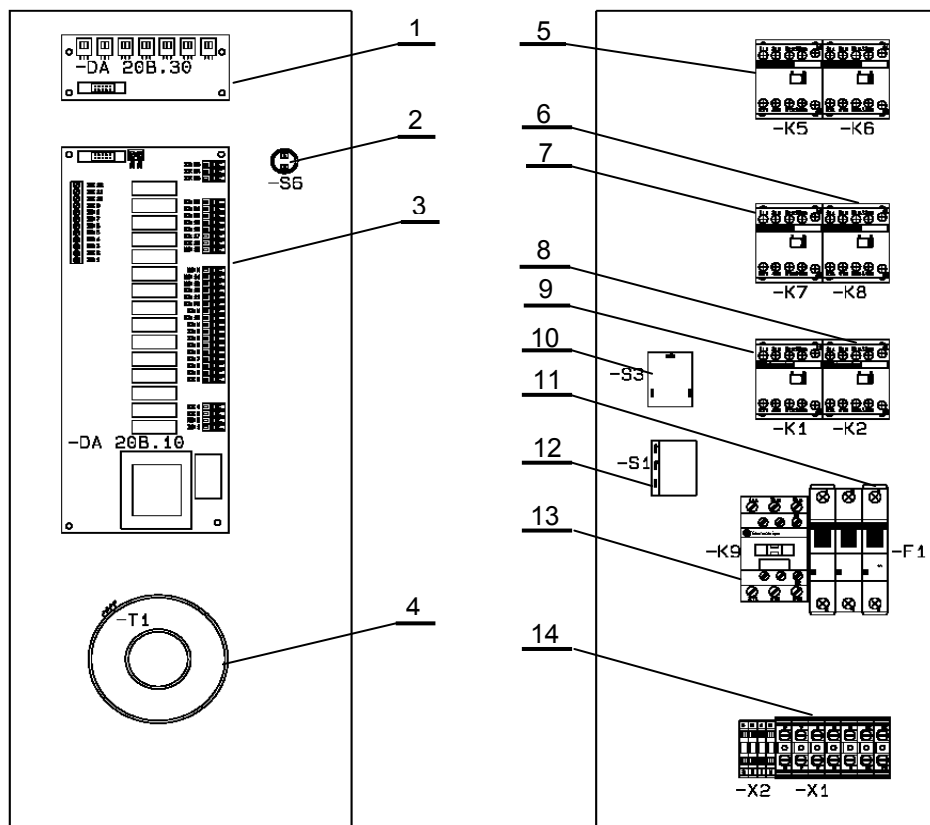
| Poz | Kód | Název | TYP | | | | | | | | | | | | | | |
|------|-----------|-------------------------|-----|----|----|----|----|----|-----|-----|--|--|--|--|--|--|--|
| | | | PI | PB | SI | SB | CI | CB | CWI | CWB | | | | | | | |
| 1 | EA14-0014 | DESKA AD PŘEVODNÍKŮ | • | | • | | | | | | | | | | | | |
| 2 | EA01-0154 | TERMOSTAT VRATNÝ | • | | • | | | | | | | | | | | | |
| 3 | EA14-0043 | ZDROJ NÁSTRÍK | • | | • | | | | | | | | | | | | |
| 3(*) | EA14-0043 | ZDROJ NÁSTRÍK | • | | • | | | | | | | | | | | | |
| 4 | EA13-0002 | TRANSFORMÁTOR TOROIDNÍ | • | | • | | | | | | | | | | | | |
| 5 | EA02-0002 | STYKAČ REVERZACNÍ | • | | • | | | | | | | | | | | | |
| 6 | EA02-0001 | STYKAČ | • | | • | | | | | | | | | | | | |
| 7 | EA02-0001 | STYKAČ | • | | • | | | | | | | | | | | | |
| 8 | EA03-0009 | JISTIČ LSN 4C/3 | • | | • | | | | | | | | | | | | |
| 9 | EA04-0012 | POJ.KAP.NEV RATNÁ 365°C | • | | • | | | | | | | | | | | | |
| 10 | EA02-0003 | STYKAČ (LC1D18P7) | • | | • | | | | | | | | | | | | |
| 11 | EA07-0005 | SVORKA RSA 16 | • | | • | | | | | | | | | | | | |
| | | | | | | | | | | | | | | | | | |
| | | | | | | | | | | | | | | | | | |
| | | | | | | | | | | | | | | | | | |
| | | | | | | | | | | | | | | | | | |
| | | | | | | | | | | | | | | | | | |
| | | | | | | | | | | | | | | | | | |
| | | | | | | | | | | | | | | | | | |
| | | | | | | | | | | | | | | | | | |
| | | | | | | | | | | | | | | | | | |
| | | | | | | | | | | | | | | | | | |
| | | | | | | | | | | | | | | | | | |
| | | | | | | | | | | | | | | | | | |
| | | | | | | | | | | | | | | | | | |
| | | | | | | | | | | | | | | | | | |
| | | | | | | | | | | | | | | | | | |

(*) od výrobního čísla: 59930602 (*) combi oven starting with production no. 59930602

ELEKTRICKÁ INSTALACE - ELECTRICAL INSTALLATION

DA 611 IS/IP 1

| Poz | Kód | Název | Name | Nazwa | Название | Poznámky - Note |
|------|-----------|-------------------------|---------------------------------|-------------------------------|------------------------------|-----------------|
| 1 | EA14-0014 | DESKA AD PŘEVODNÍKŮ | BOARD FOR CONNECT. OF SENSOR | PLYTKA CZUJNIKÓW | ПЛАТА ДАТЧИКОВ | |
| 2 | EA01-0154 | TERMOSTAT VRATNÝ | REVERSIBLE THERMOSTAT KS 3RO 06 | TERMOSTAT | ТЕРМОСТАТ РЕВЕРСИВНЫЙ | |
| 3 | EA14-0043 | ZDROJ NÁSTŘÍK | POWER SUPPLY BOARD INJECT | ZASILACZ NATRYSK | ПЛАТА НАПРЯЖЕНИЯ НАБРЫЗГ | |
| 3(*) | EA14-0043 | ZDROJ NÁSTŘÍK | POWER SUPPLY BOARD INJECT | ZASILACZ NATRYSK | ПЛАТА НАПРЯЖЕНИЯ НАБРЫЗГ | |
| 4 | EA13-0002 | TRANSFORMÁTOR TOROIDNÍ | TOROIDAL TRANSFORMER 100 W | TRANSFORMATOR 100W | ТРАНСФОРМАТОР 100W | |
| 5 | EA02-0002 | STYKAČ REVERZACNÍ | REVERSIBLE CONTACTOR | STYCZNIK REWERSYJNY | КОНТАКТОР РЕВЕРСИВНЫЙ | |
| 6 | EA02-0001 | STYKAČ | CONTACTOR LC 1K0610 P72 | STYCZNIK LC 1K0610 P72 | КОНТАКТОР LC 1K0610 P72 | |
| 7 | EA02-0001 | STYKAČ | CONTACTOR LC 1K0610 P72 | STYCZNIK LC 1K0610 P72 | КОНТАКТОР LC 1K0610 P72 | |
| 8 | EA03-0009 | JISTIČ LSN 4C/3 | CIRCUIT BREAKER | WYŁĄCZNIK ZABEZPIECZAJĄCY LSN | АВТОМАТ LSN 4C/3 | |
| 9 | EA04-0012 | POJ.KAP.NEV RATNÁ 365°C | THERM. FUSE FOR SPACE 360°C | BEZPIECZNIK TERMICZNY KOMORY | ТЕПЛОТ.ПРЕДОХР.КАМЕРА 360 °C | |
| 10 | EA02-0003 | STYKAČ (LC1D18P7) | CONTACTOR | STYCZNIK LC1D18P7 | КОНТАКТОР LC 1D18P7 | |
| 11 | EA07-0005 | SVORKA RSA 16 | TERMINAL CONECTION RSA L-35 | Listwa RSA 16 | КЛЕММНАЯ ПЛАТА RSA 16 | |
| | | | | | | |
| | | | | | | |
| | | | | | | |
| | | | | | | |
| | | | | | | |
| | | | | | | |
| | | | | | | |
| | | | | | | |
| | | | | | | |
| | | | | | | |
| | | | | | | |
| | | | | | | |
| | | | | | | |
| | | | | | | |
| | | | | | | |
| | | | | | | |
| | | | | | | |
| | | | | | | |
| | | | | | | |
| | | | | | | |
| | | | | | | |
| | | | | | | |
| | | | | | | |
| | | | | | | |



| Poz | Kód | Název | TYP | | | | | | | | | | |
|------|-----------|-------------------------|-----|----|----|----|----|----|-----|-----|--|--|--|
| | | | PI | PB | SI | SB | CI | CB | CWI | CWB | | | |
| 1 | EA14-0014 | DESKA AD PŘEVODNÍKŮ | | • | | • | | | | | | | |
| 2 | EA01-0154 | TERMOSTAT VRATNÝ | | • | | • | | | | | | | |
| 3 | EA14-0042 | ZDROJ BOJLER | | • | | • | | | | | | | |
| 3(*) | EA14-0042 | ZDROJ BOJLER | | • | | • | | | | | | | |
| 4 | EA13-0002 | TRANSFORMÁTOR TOROIDNÍ | | • | | • | | | | | | | |
| 5 | EA02-0002 | STYKAČ REVERZACNÍ | | • | | • | | | | | | | |
| 6 | EA02-0001 | STYKAČ | | • | | • | | | | | | | |
| 7 | EA02-0001 | STYKAČ | | • | | • | | | | | | | |
| 8 | EA02-0001 | STYKAČ | | • | | • | | | | | | | |
| 9 | EA02-0001 | STYKAČ | | • | | • | | | | | | | |
| 10 | EA04-0011 | POJ.KAP.TEPELNÁ 140°C | | • | | • | | | | | | | |
| 11 | EA03-0009 | JISTIČ LSN 4C/3 | | • | | • | | | | | | | |
| 12 | EA04-0012 | POJ.KAP.NEV RATNÁ 365°C | | • | | • | | | | | | | |
| 13 | EA02-0003 | STYKAČ (LC1D18P7) | | • | | • | | | | | | | |
| 14 | EA07-0005 | SVORKA RSA 16 | | • | | • | | | | | | | |
| | | | | | | | | | | | | | |
| | | | | | | | | | | | | | |
| | | | | | | | | | | | | | |
| | | | | | | | | | | | | | |
| | | | | | | | | | | | | | |
| | | | | | | | | | | | | | |
| | | | | | | | | | | | | | |
| | | | | | | | | | | | | | |
| | | | | | | | | | | | | | |

(*) od výrobního čísla: 59930602 (*) combi oven starting with production no. 59930602

ELEKTRICKÁ INSTALACE - ELECTRICAL INSTALLATION

DA 611 BS/BP 1

| Poz | Kód | Název | Name | Nazwa | Название | Poznámky - Note |
|------|-----------|-------------------------|---------------------------------|-------------------------------|------------------------------|-----------------|
| 1 | EA14-0014 | DESKA AD PŘEVODNÍKŮ | BOARD FOR CONNECT. OF SENSOR | PLYTKA CZUJNIKÓW | ПЛАТА ДАТЧИКОВ | |
| 2 | EA01-0154 | TERMOSTAT VRATNÝ | REVERSIBLE THERMOSTAT KS 3RO 06 | TERMOSTAT | ТЕРМОСТАТ РЕВЕРСИВНЫЙ | |
| 3 | EA14-0042 | ZDROJ BOJLER | POWER SUPPLY BOARD BOILER | ZASILACZ BOJLER | ПЛАТА НАПРЯЖЕНИЯ БОЙЛЕР | |
| 3(*) | EA14-0042 | ZDROJ BOJLER | POWER SUPPLY BOARD BOILER | ZASILACZ BOJLER | ПЛАТА НАПРЯЖЕНИЯ БОЙЛЕР | |
| 4 | EA13-0002 | TRANSFORMÁTOR TOROIDNÍ | TOROIDAL TRANSFORMER 100 W | TRANSFORMATOR 100W | ТРАНСФОРМАТОР 100W | |
| 5 | EA02-0002 | STYKAČ REVERZACNÍ | REVERSIBLE KONTAKTOR | STYCZNIK REWERSYJNY | КОНТАКТОР РЕВЕРСИВНЫЙ | |
| 6 | EA02-0001 | STYKAČ | CONTACTOR LC 1K0610 P72 | STYCZNIK LC 1K0610 P72 | КОНТАКТОР LC 1K0610 P72 | |
| 7 | EA02-0001 | STYKAČ | CONTACTOR LC 1K0610 P72 | STYCZNIK LC 1K0610 P72 | КОНТАКТОР LC 1K0610 P72 | |
| 8 | EA02-0001 | STYKAČ | CONTACTOR LC 1K0610 P72 | STYCZNIK LC 1K0610 P72 | КОНТАКТОР LC 1K0610 P72 | |
| 9 | EA02-0001 | STYKAČ | CONTACTOR LC 1K0610 P72 | STYCZNIK LC 1K0610 P72 | КОНТАКТОР LC 1K0610 P72 | |
| 10 | EA04-0011 | POJ.KAP.TEPELNÁ 140°C | THERMAL FUSE BOILER 140 °C | BEZPIECZNIK TERMICZNY BOJLERA | ТЕПЛОТ.ПРЕДОХР.БОЙЛЕР 140 °C | |
| 11 | EA03-0009 | JISTIČ LSN 4C/3 | CIRCUIT BREAKER | WYŁĄCZNIK ZABEZPIECZAJĄCY LSN | АВТОМАТ LSN 4C/3 | |
| 12 | EA04-0012 | POJ.KAP.NEV RATNÁ 365°C | THERM. FUSE FOR SPACE 360°C | BEZPIECZNIK TERMICZNY KOMORY | ТЕПЛОТ.ПРЕДОХР.КАМЕРА 360 °C | |
| 13 | EA02-0003 | STYKAČ (LC1D18P7) | KONTAKTOR | STYCZNIK LC1D18P7 | КОНТАКТОР LC 1D18P7 | |
| 14 | EA07-0005 | SVORKA RSA 16 | TERMINAL CONECTION RSA L-35 | Listwa RSA 16 | КЛЕММНАЯ ПЛАТА RSA 16 | |
| | | | | | | |
| | | | | | | |
| | | | | | | |
| | | | | | | |
| | | | | | | |
| | | | | | | |
| | | | | | | |
| | | | | | | |
| | | | | | | |
| | | | | | | |
| | | | | | | |
| | | | | | | |
| | | | | | | |
| | | | | | | |
| | | | | | | |
| | | | | | | |
| | | | | | | |
| | | | | | | |
| | | | | | | |
| | | | | | | |
| | | | | | | |
| | | | | | | |
| | | | | | | |
| | | | | | | |

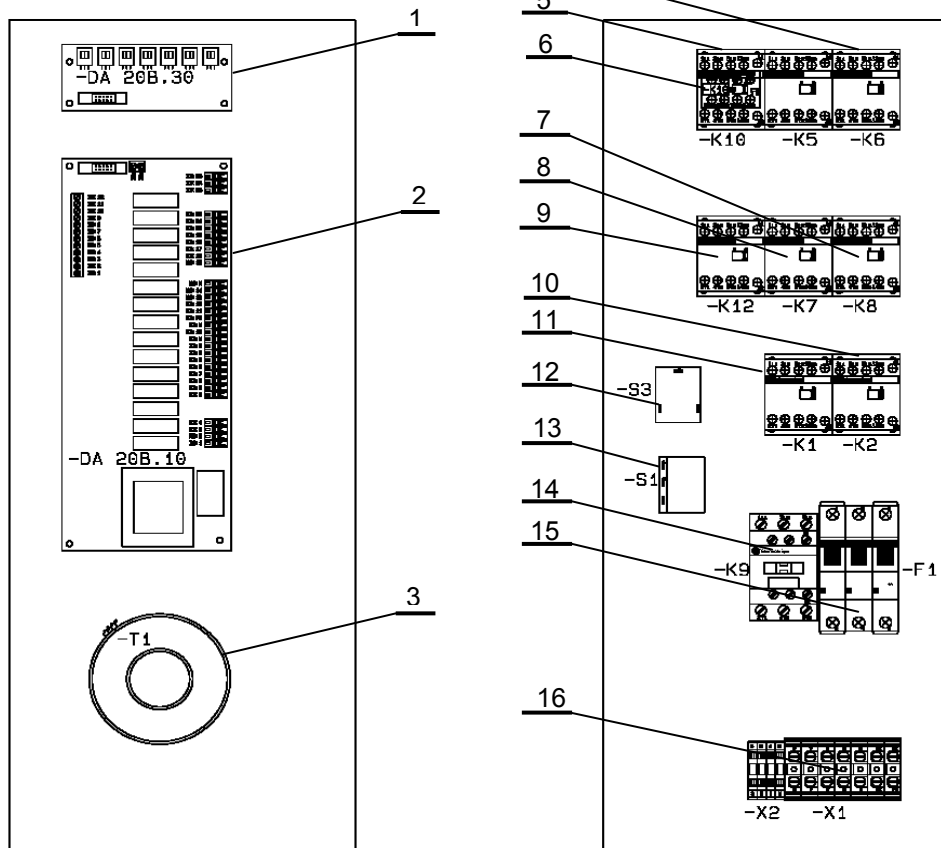
ELEKTRICKÁ INSTALACE - ELECTRICAL INSTALLATION

DA 611 IC 2

| Poz | Kód | Název | Name | Nazwa | Название | Poznámky - Note |
|-----|-----------|--------------------------|------------------------------|------------------------------|------------------------------|-----------------|
| 1 | EA14-0014 | DESKA AD PŘEVODNÍKŮ | BOARD FOR CONNECT. OF SENSOR | PLYTKA CZUJNIKÓW | ПЛАТА ДАТЧИКОВ | |
| 2 | EA14-0043 | ZDROJ NÁSTRÍK | POVER SUPPLY BOARD INJECT | ZASILACZ NATRYSK | ПЛАТА НАПРЯЖЕНИЯ НАБРЫЗГ | |
| 3 | EA14-0043 | ZDROJ NÁSTRÍK | POVER SUPPLY BOARD INJECT | ZASILACZ NATRYSK | ПЛАТА НАПРЯЖЕНИЯ НАБРЫЗГ | |
| 4 | EA13-0002 | TRANSFORMÁTOR TOROIDNÍ | TOROIDAL TRANSFORMER 100 W | TRANSFORMATOR 100W | ТРАНСФОРМАТОР 100W | |
| 5 | EA02-0002 | STYKAČ REVERZACNÍ | REVERSIBLE CONTACTOR | STYCZNIK REWERSYJNY | КОНТАКТОР РЕВЕРСИВНЫЙ | |
| 6 | EA02-0001 | STYKAČ | CONTACTOR LC 1K0610 P72 | STYCZNIK LC 1K0610 P72 | КОНТАКТОР LC 1K0610 P72 | |
| 7 | EA02-0050 | KONTAKT POMOCNÝ(LA1KN31) | AUXILIARY CONTACT LA1K31 | KONTAKT POMOCNICZY LA1K31 | КОНТАКТ ВСПОМОГАТЕЛЬНЫЙ LA | |
| 8 | EA02-0001 | STYKAČ | CONTACTOR LC 1K0610 P72 | STYCZNIK LC 1K0610 P72 | КОНТАКТОР LC 1K0610 P72 | |
| 9 | EA02-0001 | STYKAČ | CONTACTOR LC 1K0610 P72 | STYCZNIK LC 1K0610 P72 | КОНТАКТОР LC 1K0610 P72 | |
| 10 | EA02-0001 | STYKAČ | CONTACTOR LC 1K0610 P72 | STYCZNIK LC 1K0610 P72 | КОНТАКТОР LC 1K0610 P72 | |
| 11 | EA03-0009 | JISTIČ LSN 4C/3 | CIRCUIT BREAKER | WYŁĄCZNIK ZABEZPIECZAJĄCY LS | АВТОМАТ LSN 4C/3 | |
| 12 | EA04-0012 | POJ.KAP.NEV RATNÁ 365°C | THERM. FUSE FOR SPACE 360°C | BEZPIECZNIK TERMICZNY KOMORY | ТЕПЛОТ.ПРЕДОХР.КАМЕРА 360 °C | |
| 13 | EA02-0003 | STYKAČ (LC1D18P7) | CONTACTOR | STYCZNIK LC1D18P7 | КОНТАКТОР LC 1D18P7 | |
| 14 | EA07-0005 | SVORKA RSA 16 | TERMINAL CONECTION RSA L-35 | Listwa RSA 16 | КЛЕММНАЯ ПЛАТА RSA 16 | |
| | | | | | | |
| | | | | | | |
| | | | | | | |
| | | | | | | |
| | | | | | | |
| | | | | | | |
| | | | | | | |
| | | | | | | |
| | | | | | | |
| | | | | | | |
| | | | | | | |
| | | | | | | |
| | | | | | | |
| | | | | | | |
| | | | | | | |
| | | | | | | |

ELEKTRICKÁ INSTALACE - ELECTRICAL INSTALLATION

DA 611 BC 2

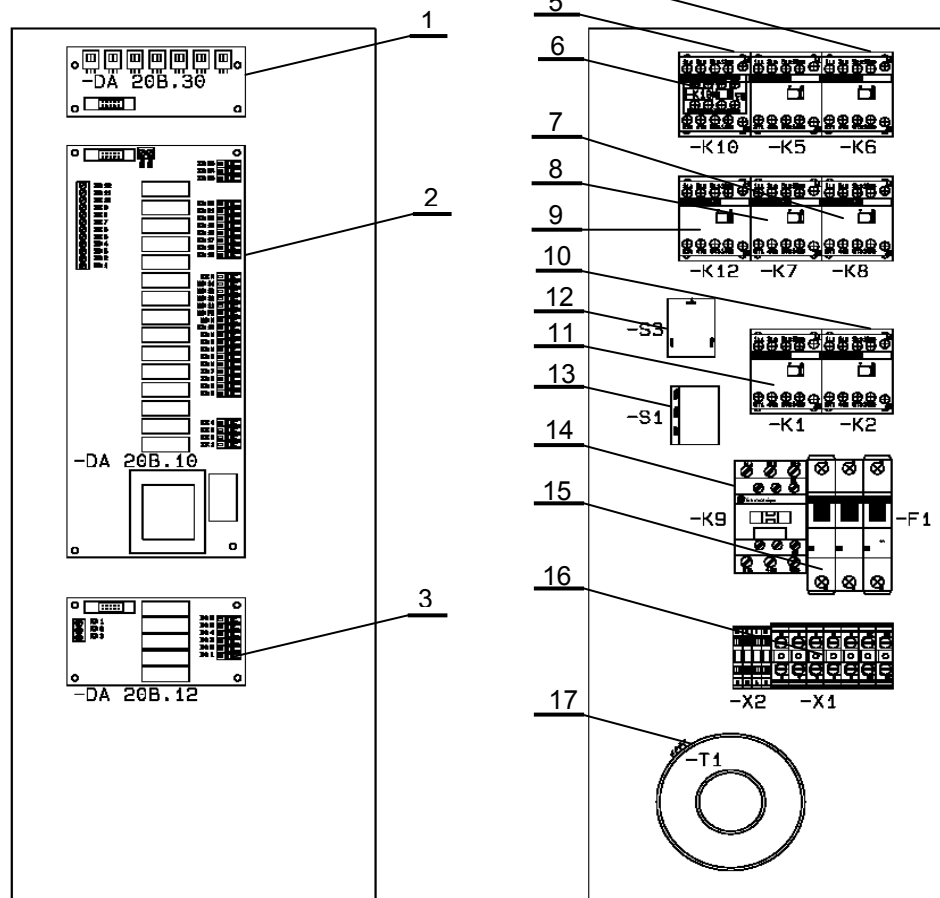


| Poz | Kód | Název | TYP | | | | | | | | | |
|------|-----------|--------------------------|-----|----|----|----|----|----|-----|-----|--|--|
| | | | PI | PB | SI | SB | CI | CB | CWI | CWB | | |
| 1 | EA14-0014 | DESKA AD PŘEVODNÍKŮ | | | | | | | • | | | |
| 2 | EA14-0042 | ZDROJ BOJLER | | | | | | | • | | | |
| 2(*) | EA14-0042 | ZDROJ BOJLER | | | | | | | • | | | |
| 3 | EA13-0002 | TRANSFORMÁTOR TOROIDNÍ | | | | | | | • | | | |
| 4 | EA02-0002 | STYKAČ REVERZACNÍ | | | | | | | • | | | |
| 5 | EA02-0001 | STYKAČ | | | | | | | • | | | |
| 6 | EA02-0050 | KONTAKT POMOČNÝ(LA1KN31) | | | | | | | • | | | |
| 8 | EA02-0001 | STYKAČ | | | | | | | • | | | |
| 9 | EA02-0001 | STYKAČ | | | | | | | • | | | |
| 10 | EA02-0001 | STYKAČ | | | | | | | • | | | |
| 11 | EA02-0001 | STYKAČ | | | | | | | • | | | |
| 12 | EA04-0011 | POJ.KAP.TEPELNÁ 140°C | | | | | | | • | | | |
| 13 | EA04-0012 | POJ.KAP.NEV RATNÁ 365°C | | | | | | | • | | | |
| 14 | EA02-0003 | STYKAČ (LC1D18P7) | | | | | | | • | | | |
| 15 | EA03-0009 | JISTIČ LSN 4C/3 | | | | | | | • | | | |
| 16 | EA07-0005 | SVORKA RSA 16 | | | | | | | • | | | |
| | | | | | | | | | | | | |
| | | | | | | | | | | | | |
| | | | | | | | | | | | | |
| | | | | | | | | | | | | |
| | | | | | | | | | | | | |
| | | | | | | | | | | | | |
| | | | | | | | | | | | | |
| | | | | | | | | | | | | |
| | | | | | | | | | | | | |
| | | | | | | | | | | | | |
| | | | | | | | | | | | | |
| | | | | | | | | | | | | |
| | | | | | | | | | | | | |
| | | | | | | | | | | | | |
| | | | | | | | | | | | | |

(*) od výrobního čísla: 59930602 (*) combi oven starting with production no. 59930602

ELEKTRICKÁ INSTALACE - ELECTRICAL INSTALLATION

DA 611 BC 2 W



| Poz | Kód | Název | TYP | | | | | | | | |
|------|-----------|--------------------------|-----|----|----|----|----|----|-----|-----|---|
| | | | PI | PB | SI | SB | CI | CB | CWI | CWB | |
| 1 | EA14-0014 | DESKA AD PŘEVODNÍKŮ | | | | | | | | | • |
| 2 | EA14-0042 | ZDROJ BOJLER | | | | | | | | | • |
| 2(*) | EA14-0042 | ZDROJ BOJLER | | | | | | | | | • |
| 3 | EA14-0032 | VÝSTUPY DA 20B.12 | | | | | | | | | • |
| 4 | EA02-0002 | STYKAČ REVERZACNÍ | | | | | | | | | • |
| 5 | EA02-0001 | STYKAČ | | | | | | | | | • |
| 6 | EA02-0050 | KONTAKT POMOČNÝ(LA1KN31) | | | | | | | | | • |
| 7 | EA02-0001 | STYKAČ | | | | | | | | | • |
| 8 | EA02-0001 | STYKAČ | | | | | | | | | • |
| 9 | EA02-0001 | STYKAČ | | | | | | | | | • |
| 10 | EA02-0001 | STYKAČ | | | | | | | | | • |
| 11 | EA02-0001 | STYKAČ | | | | | | | | | • |
| 12 | EA04-0011 | POJ.KAP.TEPELNÁ 140°C | | | | | | | | | • |
| 13 | EA04-0012 | POJ.KAP.NEV RATNÁ 365°C | | | | | | | | | • |
| 14 | EA02-0003 | STYKAČ (LC1D18P7) | | | | | | | | | • |
| 15 | EA03-0009 | JISTIČ LSN 4C/3 | | | | | | | | | • |
| 16 | EA07-0005 | SVORKA RSA 16 | | | | | | | | | • |
| 17 | EA13-0002 | TRANSFORMÁTOR TOROIDNÍ | | | | | | | | | • |
| | | | | | | | | | | | |
| | | | | | | | | | | | |
| | | | | | | | | | | | |
| | | | | | | | | | | | |
| | | | | | | | | | | | |
| | | | | | | | | | | | |
| | | | | | | | | | | | |
| | | | | | | | | | | | |
| | | | | | | | | | | | |
| | | | | | | | | | | | |
| | | | | | | | | | | | |

(*) od výrobního čísla: 59930602 (*) combi oven starting with production no. 59930602

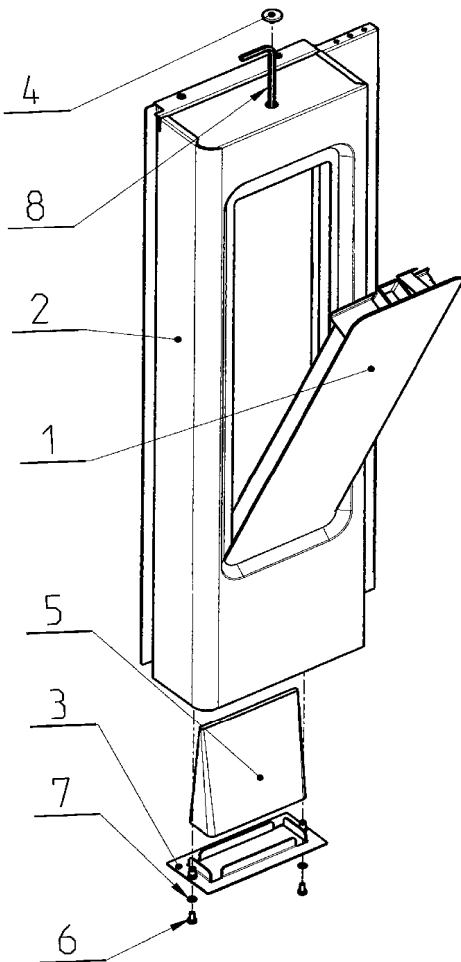
ELEKTRICKÁ INSTALACE - ELECTRICAL INSTALLATION

DA 611 BC 2 W

| Poz | Kód | Název | Name | Nazwa | Название | Poznámky - Note |
|------|-----------|--------------------------|------------------------------|-------------------------------|------------------------------|-----------------|
| 1 | EA14-0014 | DESKA AD PŘEVODNÍKŮ | BOARD FOR CONNECT. OF SENSOR | PLYTKA CZUJNIKÓW | ПЛАТА ДАТЧИКОВ | |
| 2 | EA14-0042 | ZDROJ BOJLER | POWER SUPPLY BOARD BOILER | ZASILACZ BOJLER | ПЛАТА НАПРЯЖЕНИЯ БОЙЛЕР | |
| 2(*) | EA14-0042 | ZDROJ BOJLER | POWER SUPPLY BOARD BOILER | ZASILACZ BOJLER | ПЛАТА НАПРЯЖЕНИЯ БОЙЛЕР | |
| 3 | EA14-0032 | VÝSTUPY DA 20B.12 | ACTIVE CLEANING EL. BOARD | PLYTKA STEROVANIA MYCIEM | ПЛАТА УПРАВЛЕНИЯ МОЙКИ | |
| 4 | EA02-0002 | STYKAČ REVERZACNÍ | REVERSIBLE CONTACTOR | STYCZNIK REWERSYJNY | КОНТАКТОР РЕВЕРСИВНЫЙ | |
| 5 | EA02-0001 | STYKAČ | CONTACTOR LC 1K0610 P72 | STYCZNIK LC 1K0610 P72 | КОНТАКТОР LC 1K0610 P72 | |
| 6 | EA02-0050 | KONTAKT POMOCNÝ(LA1KN31) | AUXILIARY CONTACT LA1K31 | KONTAKT POMOCNICZY LA1K31 | КОНТАКТ ВСПОМОГАТЕЛЬНЫЙ LA | |
| 7 | EA02-0001 | STYKAČ | CONTACTOR LC 1K0610 P72 | STYCZNIK LC 1K0610 P72 | КОНТАКТОР LC 1K0610 P72 | |
| 8 | EA02-0001 | STYKAČ | CONTACTOR LC 1K0610 P72 | STYCZNIK LC 1K0610 P72 | КОНТАКТОР LC 1K0610 P72 | |
| 9 | EA02-0001 | STYKAČ | CONTACTOR LC 1K0610 P72 | STYCZNIK LC 1K0610 P72 | КОНТАКТОР LC 1K0610 P72 | |
| 10 | EA02-0001 | STYKAČ | CONTACTOR LC 1K0610 P72 | STYCZNIK LC 1K0610 P72 | КОНТАКТОР LC 1K0610 P72 | |
| 11 | EA02-0001 | STYKAČ | CONTACTOR LC 1K0610 P72 | STYCZNIK LC 1K0610 P72 | КОНТАКТОР LC 1K0610 P72 | |
| 12 | EA04-0011 | POJ.KAP.TEPELNÁ 140°C | THERMAL FUSE BOILER 140 °C | BEZPIECZNIK TERMICZNY BOJLERA | ТЕПЛОТ.ПРЕДОХР.БОЙЛЕР 140 °C | |
| 13 | EA04-0012 | POJ.KAP.NEV RATNÁ 365°C | THERM. FUSE FOR SPACE 360°C | BEZPIECZNIK TERMICZNY KOM | ТЕПЛОТ.ПРЕДОХР.КАМЕРА 360 | |
| 14 | EA02-0003 | STYKAČ (LC1D18P7) | CONTACTOR | STYCZNIK LC1D18P7 | КОНТАКТОР LC 1D18P7 | |
| 15 | EA03-0009 | JISTIČ LSN 4C/3 | CIRCUIT BREAKER | WYŁĄCZNIK ZABEZPIEZAJĄCY LSN | АВТОМАТ LSN 4C/3 | |
| 16 | EA07-0005 | SVORKA RSA 16 | TERMINAL CONNECTION RSA L-35 | Listwa RSA 16 | КЛЕММНАЯ ПЛАТА RSA 16 | |
| 17 | EA13-0002 | TRANSFORMÁTOR TOROIDNÍ | TOROIDAL TRANSFORMER 100 W | TRANSFORMATOR 100W | ТРАНСФОРМАТОР 100W | |
| | | | | | | |
| | | | | | | |
| | | | | | | |
| | | | | | | |
| | | | | | | |
| | | | | | | |
| | | | | | | |
| | | | | | | |
| | | | | | | |
| | | | | | | |
| | | | | | | |
| | | | | | | |
| | | | | | | |
| | | | | | | |

SESTAVA OVLÁDACÍHO PANELU - CONTROL PANEL SET

DA 611



| Poz | Kód | Název | TYP | | | | | | | |
|-----|-----------|--------------------------|-----|----|----|----|----|----|-----|-----|
| | | | PI | PB | SI | SB | CI | CB | CWI | CWB |
| 1 | AC10-0100 | OVLÁDACÍ PANEL LCD | | | | | • | | • | • |
| 1b | AC10-0200 | OVLÁDACÍ PANEL PRAKTIK | • | | • | | | | | |
| 1c | AC10-0400 | OVL.PANEL LCD S VYPÍNAČ. | | | | | • | | • | • |
| 1d | AC10-0500 | OVL.PANEL LED S VYPÍNAČE | • | | • | | | | | |
| 2 | | | • | • | • | • | • | • | • | • |
| 3 | | | • | • | • | • | • | • | • | • |
| 4 | ZA13-0512 | GUZU ZÁSLEPKA6,10,20,102 | • | • | • | • | • | • | • | • |
| 5 | ZA17-0001 | FILTR VZDUCHOVÝ DA | • | • | • | • | • | • | • | • |
| 6 | | | • | • | • | • | • | • | • | • |
| 7 | | | • | • | • | • | • | • | • | • |
| | | | | | | | | | | |
| | | | | | | | | | | |
| | | | | | | | | | | |
| | | | | | | | | | | |
| | | | | | | | | | | |
| | | | | | | | | | | |
| | | | | | | | | | | |
| | | | | | | | | | | |
| | | | | | | | | | | |
| | | | | | | | | | | |
| | | | | | | | | | | |
| | | | | | | | | | | |
| | | | | | | | | | | |
| | | | | | | | | | | |
| | | | | | | | | | | |

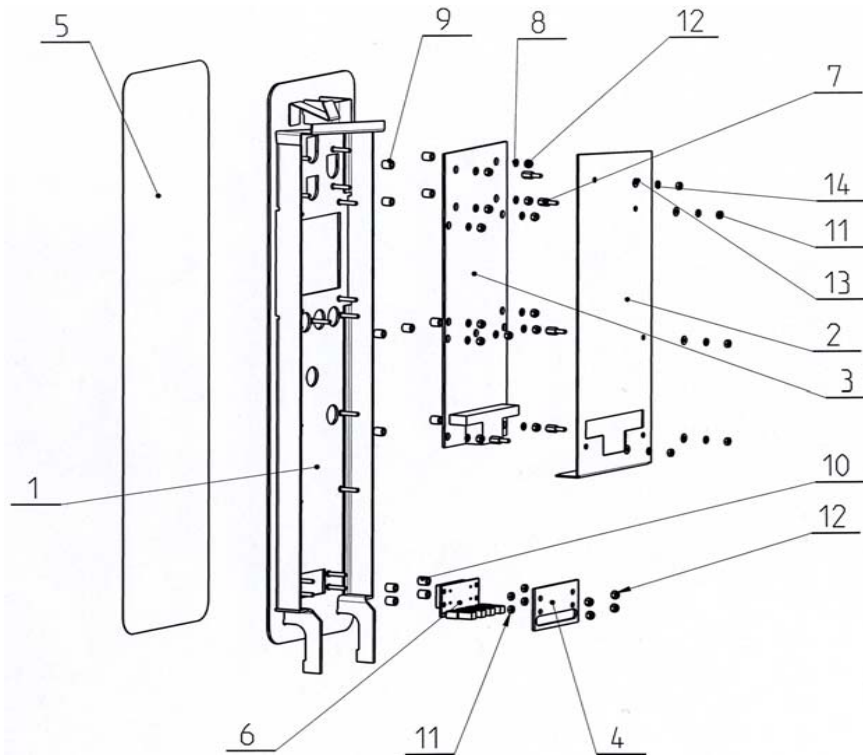
SESTAVA ŘÍDÍCÍ ELEKTRONIKY COMFORT VYPÍNAČEM - CONTROL PANEL SET COMFORT WITH ON-OFF SWITCH DA 611

| Poz | Kód | Název | Name | Nazwa | Название | Poznámky - Note |
|-----|-----------|--------------------------|------------------------------|--------------------------------|----------------------------|-----------------|
| | AC10-0400 | OVL.PANEL LCD S VYPÍNAČ. | CONT. PANEL COM. WITH SWITCH | Panel sterujący z wył. Comfort | ПАНЕЛЬ УПРАВЛЕНИЯ | |
| 1 | | | | | | |
| 2 | | | | | | |
| 3 | | | | | | |
| 4 | AX98-0030 | FOLIE OVLÁDACÍ PANEL | CONTROL BOARD FOIL | Folia panela sterowania | ПЛЁНКА ИЗ ПЛАСТМАСС | |
| 5 | | | | | | |
| 6 | EA14-0041 | DISPLAY-LCD | DISPLAY-LCD | DISPLAY-LCD | ДИСПЛЕЙ ЛЦД | |
| 7 | EA14-0015 | DESKA PŘEPÍNÁNÍ REŽIMU | MODE BOARD | PŁYTKA PRZEŁĄCZNIKÓW REŻIMA | ПЛАТА ПЕРЕКЛЮЧАТЕЛЯ РЕЖИМА | |
| 8 | EA14-0016 | DESKA PANELU LCD | LCD CONTROL BOARD | PŁYTKA PANELA LCD | ПЛАТА LCD | |
| 9 | EA14-0033 | DESKA SÍŤOVÉHO VYPÍNAČE | POWER SWITCH BOARD | Panel wyłącznika sieciowego | ПАНЕЛЬ ВЫКЛЮЧАТЕЛЯ | |
| 10 | | | | | | |
| 11 | | | | | | |
| 12 | | | | | | |
| 13 | | | | | | |
| 14 | | | | | | |
| 15 | | | | | | |
| 16 | | | | | | |
| 17 | | | | | | |
| | | | | | | |
| | | | | | | |
| | | | | | | |
| | | | | | | |
| | | | | | | |
| | | | | | | |
| | | | | | | |
| | | | | | | |
| | | | | | | |
| | | | | | | |
| | | | | | | |
| | | | | | | |

SESTAVA ŘÍDÍCÍ ELEKTRONIKY COMFORT BEZ VYPÍNAČE - CONTROL PANEL SET COMFORT WITHOUT ON-OFF SWITCH

| Poz | Kód | Název | Name | Nazwa | Название | Poznámky - Note |
|-----|-----------|------------------------|-----------------------|-----------------------------|----------------------------|-----------------|
| | AC10-0100 | OVLÁDACÍ PANEL LCD | CONTROL PANEL COMFORT | Panel sterujący Comfort | ПАНЕЛЬ УПРАВЛЕНИЯ | |
| 1 | | | | | | |
| 2 | | | | | | |
| 3 | | | | | | |
| 4 | AX98-0001 | FOLIE OVLÁDACÍ PANEL | CONTROL BOARD FOIL | Folia panela sterowania | ПЛЁНКА ИЗ ПЛАСТМАСС | |
| 5 | EA14-0041 | DISPLAY-LCD | DISPLAY-LCD | DISPLAY-LCD | ДИСПЛЕЙ ЛЦД | |
| 6 | EA14-0015 | DESKA PŘEPÍNÁNÍ REŽIMU | MODE BOARD | PŁYTKA PRZEŁĄCZNIKÓW REŻIMA | ПЛАТА ПЕРЕКЛЮЧАТЕЛЯ РЕЖИМА | |
| 7 | EA14-0016 | DESKA PANELU LCD | LCD CONTROL BOARD | PŁYTKA PANELA LCD | ПЛАТА LCD | |
| 8 | | | | | | |
| 9 | | | | | | |
| 10 | | | | | | |
| 11 | | | | | | |
| 12 | | | | | | |
| 13 | | | | | | |
| 14 | | | | | | |
| | | | | | | |
| | | | | | | |
| | | | | | | |
| | | | | | | |
| | | | | | | |
| | | | | | | |
| | | | | | | |
| | | | | | | |
| | | | | | | |
| | | | | | | |
| | | | | | | |
| | | | | | | |

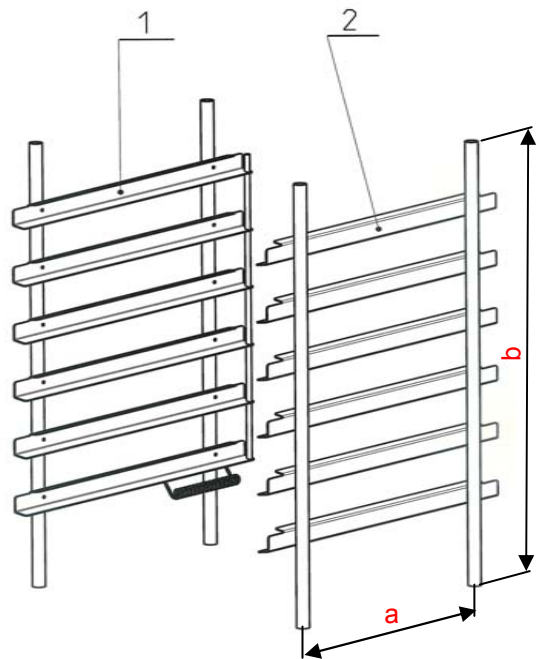
SESTAVA ŘÍDÍCÍ ELEKTRONIKY PRAKTIK/STANDARD S VYPÍNAČEM - CONTROL PANEL SET LED WITH ON-OFF SWITCH DA 611



| Poz | Kód | Název | TYP | | | | | | | | | | | | | | | | |
|-----|-----------|---------------------------|-----|----|----|----|----|----|-----|-----|--|--|--|--|--|--|--|--|--|
| | | | PI | PB | SI | SB | CI | CB | CWI | CWB | | | | | | | | | |
| | AC10-0500 | OVL.PANEL LED S VYPÍNAČEM | • | • | • | • | | | | | | | | | | | | | |
| 1 | | | • | • | • | • | | | | | | | | | | | | | |
| 2 | | | • | • | • | • | | | | | | | | | | | | | |
| 3 | EA14-0025 | DESKA PANELU LED PRAKTIK | • | • | • | • | | | | | | | | | | | | | |
| 4 | | | • | • | • | • | | | | | | | | | | | | | |
| 5 | AX98-0031 | FOLIE OVLÁDACÍ PANEL | • | • | • | • | | | | | | | | | | | | | |
| 6 | EA14-0033 | DESKA SÍŤOVÉHO VYPÍNAČE | • | • | • | • | | | | | | | | | | | | | |
| 7 | | | • | • | • | • | | | | | | | | | | | | | |
| 8 | | | • | • | • | • | | | | | | | | | | | | | |
| 9 | | | • | • | • | • | | | | | | | | | | | | | |
| 10 | | | • | • | • | • | | | | | | | | | | | | | |
| 11 | | | • | • | • | • | | | | | | | | | | | | | |
| 12 | | | • | • | • | • | | | | | | | | | | | | | |
| 13 | | | • | • | • | • | | | | | | | | | | | | | |
| 14 | | | • | • | • | • | | | | | | | | | | | | | |
| | | | | | | | | | | | | | | | | | | | |
| | | | | | | | | | | | | | | | | | | | |
| | | | | | | | | | | | | | | | | | | | |
| | | | | | | | | | | | | | | | | | | | |
| | | | | | | | | | | | | | | | | | | | |
| | | | | | | | | | | | | | | | | | | | |
| | | | | | | | | | | | | | | | | | | | |

ŽEBŘÍKY - RACKS

DA 611



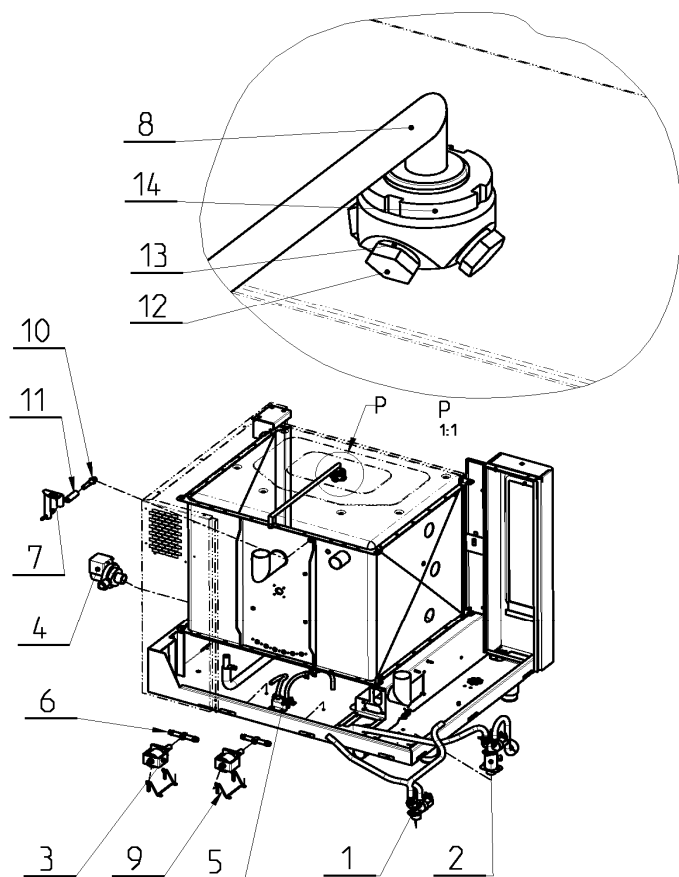
a = 262 mm
b = 497 mm
AC18-0100 Žebřík levý 6
AC19-0100 Žebřík pravý 6

a = 248 mm
b = 502 mm
AC18-0600 Žebřík levý 6
AC19-0600 Žebřík pravý 6

| Poz | Kód | Název | TYP | | | | | | | |
|-----|-----------|----------------|-----|----|----|----|----|----|-----|-----|
| | | | PI | PB | SI | SB | CI | CB | CWI | CWB |
| 1 | AC18-0100 | ŽEBŘÍK LEVÝ 6 | ● | ● | ● | ● | ● | ● | ● | ● |
| 2 | AC19-0100 | ŽEBŘÍK PRAVÝ 6 | ● | ● | ● | ● | ● | ● | ● | ● |
| 1a | AC18-0600 | ŽEBŘÍK LEVÝ 6 | ● | ● | ● | ● | ● | ● | ● | ● |
| 2a | AC19-0600 | ŽEBŘÍK PRAVÝ 6 | ● | ● | ● | ● | ● | ● | ● | ● |
| | | | | | | | | | | |
| | | | | | | | | | | |
| | | | | | | | | | | |
| | | | | | | | | | | |
| | | | | | | | | | | |
| | | | | | | | | | | |
| | | | | | | | | | | |
| | | | | | | | | | | |
| | | | | | | | | | | |
| | | | | | | | | | | |
| | | | | | | | | | | |
| | | | | | | | | | | |
| | | | | | | | | | | |
| | | | | | | | | | | |
| | | | | | | | | | | |
| | | | | | | | | | | |
| | | | | | | | | | | |

SYSTEM AUTOMATICKÉHO MYTÍ - AUTOMATIC CLEANING SYSTEM

DA 611



| Poz | Kód | Název | TYP | | | | | | | | |
|-----|-----------|--------------------------|-----|----|----|----|----|----|-----|-----|---|
| | | | PI | PB | SI | SB | CI | CB | CWI | CWB | |
| 1 | EA12-0050 | VENTIL MAGN. DVOJITÝ | | | | | | | | • | |
| 1a | EA12-0056 | VENTIL MAGN.TROJITÝ | | | | | | | | | • |
| 2 | | | | | | | | | | | |
| 3 | EA12-0002 | ČERPADLO ULKA MODEL E | | | | | | | | • | • |
| 4 | EA12-0001 | ČERPADLO PLASET | | | | | | | | • | • |
| 5 | | | | | | | | | | | |
| 6 | | | | | | | | | | | |
| 7 | | | | | | | | | | | |
| 8 | | | | | | | | | | | |
| 9 | | | | | | | | | | | |
| 10 | | | | | | | | | | | |
| 11 | | | | | | | | | | | |
| 12 | ZA23-0002 | TRYSKA 1/8" PZ 16120QZ13 | | | | | | | | • | • |
| 13 | ZA13-0013 | TĚSNĚNÍ - 10x14x1 mm | | | | | | | | • | • |
| 14 | | | | | | | | | | | |
| | | | | | | | | | | | |
| | | | | | | | | | | | |
| | | | | | | | | | | | |
| | | | | | | | | | | | |
| | | | | | | | | | | | |
| | | | | | | | | | | | |
| | | | | | | | | | | | |
| | | | | | | | | | | | |
| | | | | | | | | | | | |
| | | | | | | | | | | | |
| | | | | | | | | | | | |
| | | | | | | | | | | | |

| Poz | Kód | Název | Name | Nazwa | Название | Poznámky - Note |
|-----|-----------|--------------------------|--------------------------|-------------------------|----------------------------|-----------------|
| 1 | EA12-0050 | VENTIL MAGN. DVOJITÝ | DOUBLE SOLENOID VALVE | ELEKTROZAWÓR PODWÓJNY | СОЛЕНОИДНЫЙ КЛАПАН ПРОСТОЙ | |
| 2 | EA12-0056 | VENTIL MAGN. TROJITÝ | TRIPLE SOLENOID VALVE | ELEKTROZAWÓR POTRÓJNY | СОЛЕНОИДНЫЙ КЛАПАН ТРОЙНОЙ | |
| 3 | EA12-0002 | ČERPADO ULKA MODEL E | PUMP ULKA | Pompa ULKA | НАСОС УЛКА | |
| 4 | EA12-0001 | ČERPADO PLASET | PUMP | POMPKA | НАСОС | |
| | | | | | | |
| | | | | | | |
| | | | | | | |
| | | | | | | |
| | | | | | | |
| | | | | | | |
| | ZA23-0002 | TRYSKA 1/8" PZ 16120QZ13 | NOZZLE 1/8" PZ 16120QZ13 | Dysza 1/8" PZ 16120QZ13 | СОПЛО 1/8" PZ 16120QZ13 | |
| | ZA13-0013 | TĚSNĚNÍ - 10x14x1 mm | SEAL 10x14x1 mm | Uszczelka 10x14x1 mm | УПЛОТНИТЕЛЬ 10x14x1 mm | |
| | | | | | | |
| | | | | | | |
| | | | | | | |
| | | | | | | |
| | | | | | | |
| | | | | | | |
| | | | | | | |
| | | | | | | |
| | | | | | | |
| | | | | | | |
| | | | | | | |
| | | | | | | |
| | | | | | | |
| | | | | | | |
| | | | | | | |
| | | | | | | |
| | | | | | | |
| | | | | | | |